

# INSTALLATION AND ASSEMBLY INSTRUCTIONS

## CHALLENGER® CHWS / CHWM, GREENBRIAR® GBWS / GBWM, & HILTON® HIWS / HIWSD / HIWSU SERIES



Listed for wet locations, door facing down  
Listed for damp locations, door facing up

### - HID LUMINAIRES ONLY-

\* FOR COMPACT FLUORESCENT LUMINAIRES, SEE PAGES 2-4 \*

**WARNING: Disconnect power before servicing.**

**WARNING: Verify the existing input voltage. Make sure it matches the pre-wired voltage of the luminaire. Wires protruding out of wireway hole are clearly marked to show luminaire's pre-wired voltage.**

1. Remove luminaire and mounting plate from carton. Place luminaire on cardboard or towels to protect finish. Position luminaire so clamp screws are facing up. See Figure 1.
2. Loosen 2 clamp screws on back of luminaire, so that no screw threads are showing past PEM nuts. See Figure 1A. Set mounting plate and gasket aside. **Note: Do not remove screws or clamp!**

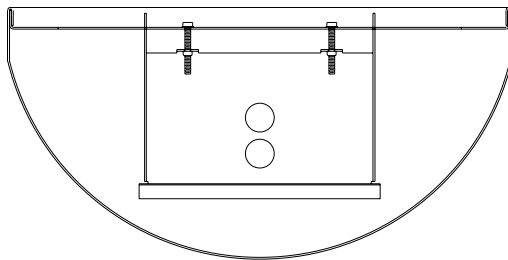


Figure 1

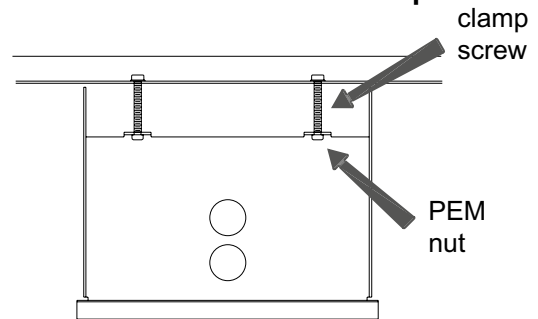


Figure 1A

3. Mount either an octagonal or square junction box (not supplied) to wall (recessed or surface). See Figure 2. Note: If using optional Surface Wiring Box, mount to wall notch-side down, then proceed to Step 8. See Figure 2A.
4. Place gasket over junction box opening. Secure luminaire mounting plate (supplied) to junction box temporarily using junction box screws. Make sure mounting plate's longest sides are running horizontal, not vertical. See Figure 3.

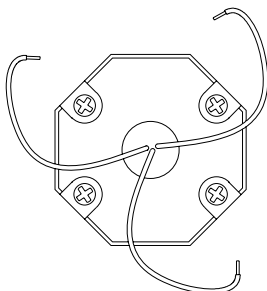


Figure 2

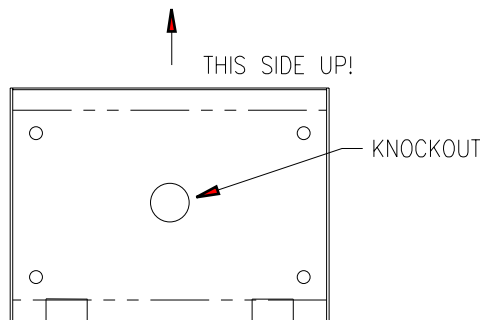


Figure 2A

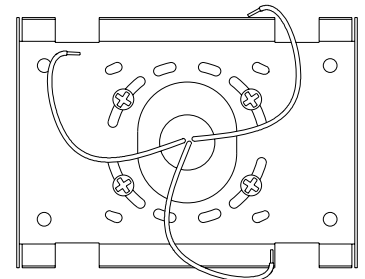


Figure 3



## WALL SCONCE SERIES, cont'd.

### - HID LUMINAIRES, con't. -

- Level mounting plate to wall using a spirit level. See Figure 4.
- If junction box is recessed into wall (flush with wall surface), mark 4 large holes onto wall. Secure plate to wall with suitable fasteners and anchors. See Figure 5. **Warning: Do not rely on junction box screws alone to secure mounting plate to wall!** Proceed to Step 8.
- If junction box is surface-mounted to wall, secure mounting plate to junction box. Proceed to Step 8.

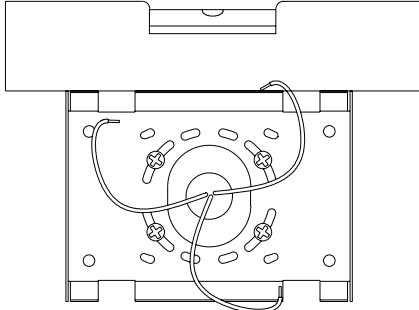


Figure 4

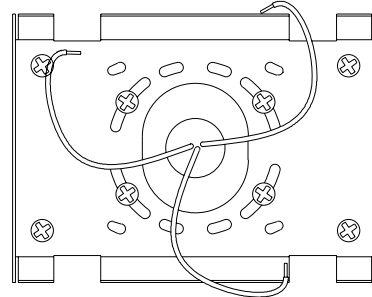


Figure 5

- Position luminaire back near mounting plate. Wire per local code and National Electrical Code. **WARNING: Verify the existing input voltage. Make sure it matches the pre-wired voltage of the luminaire. Refer to the luminaire product label for the voltage specification. Place and secure all wiring and connections in the junction box.**
- Mount luminaire to mounting plate by sliding from top to bottom over plate. See Figures 6 & 6A. **IMPORTANT: Luminaire door cannot be positioned facing up in wet location applications!**
- Tighten 2 clamp screws evenly. See Figures 6 and 6A.

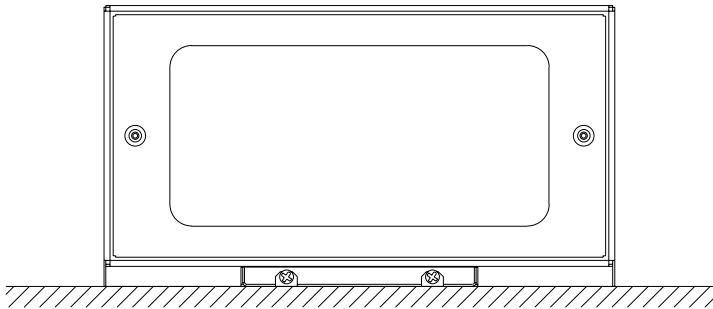


Figure 6

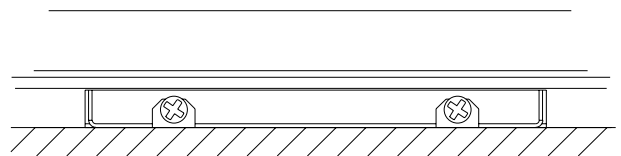


Figure 6A

- Loosen door screws. Open door and install lamp. Evenly tighten door screws.
- This completes installation of HID luminaires.

### - FLUORESCENT LUMINAIRES ONLY -

\* FOR HID LUMINAIRES, SEE PAGES 1-2 \*

**WARNING: Disconnect power before servicing.**

**WARNING: Verify the existing input voltage. The luminaire is supplied with a universal input voltage ballast suitable for any input voltage between 120v and 277v (50 Hz and 60 Hz) or with a 347v (60 Hz) input only ballast.**



## WALL SCONCE SERIES, cont'd.

### - FLUORESCENT LUMINAIRES, con't. -

1. Remove luminaire and mounting plate from carton. Place luminaire on cardboard or towels to protect finish. Position luminaire so clamp screws are facing up. See Figure 1.
2. Loosen 2 clamp screws on back of luminaire, so no screw threads are showing past PEM nuts. See Figures 1 & 1A. Set mounting plate and gasket aside. **Note: Do not remove screws or clamp!**

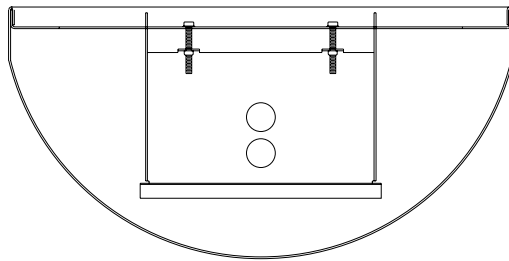


Figure 1

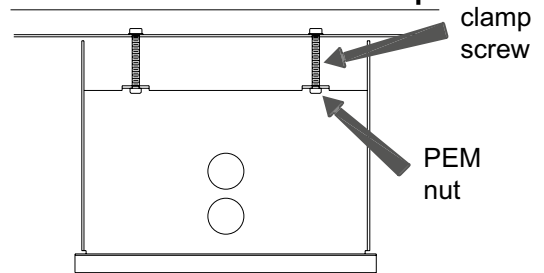


Figure 1A

3. Mount either an octagonal or square junction box (not supplied) to wall (recessed or surface). See Figure 2. Note: If using optional Surface Wiring Box, mount to wall notch-side down, then proceed to Step 8. See Figure 2A.
4. Place gasket over junction box opening. Secure luminaire mounting plate (supplied) to junction box temporarily using junction box screws. Make sure mounting plate's longest sides are running horizontal, not vertical. See Figure 3.

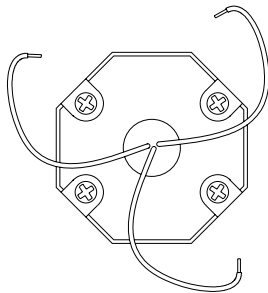


Figure 2

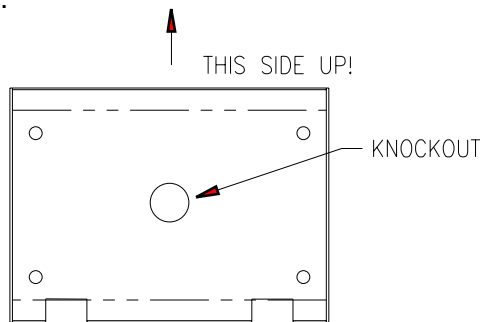


Figure 2A

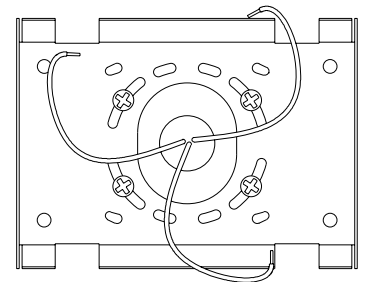


Figure 3

5. Level mounting plate to wall using a spirit level. See Figure 4.
6. If junction box is recessed into wall (flush with wall surface), mark 4 large holes onto wall. Secure plate to wall with suitable fasteners and anchors. See Figure 5. Warning: Do not rely on junction box screws alone to secure mounting plate to wall! Proceed to Step 7.

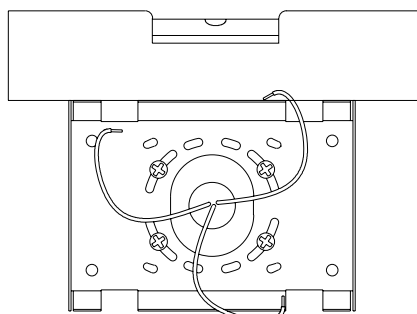


Figure 4

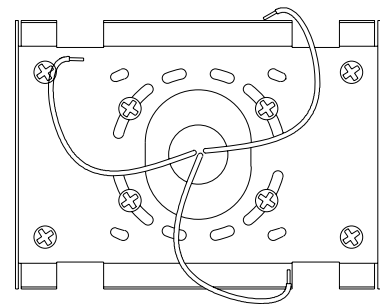


Figure 5



## WALL SCONCE SERIES, cont'd.

### - FLUORESCENT LUMINAIRES, con't. -

7. Position luminaire back near mounting plate. Wire per local code and National Electrical Code.  
**WARNING: Verify the existing input voltage. The luminaire is supplied with a universal input voltage ballast suitable for any input voltage between 120v and 277v (50 Hz and 60 Hz) or with a 347v (60 Hz) input only ballast.**
8. **If luminaire is supplied with dimming ballast** - An additional gray (-) and violet (+) wire will be provided at the back of the luminaire for connection to a Class 1 or Class 2 low-voltage control circuit of 1-10V.
9. **If luminaire is supplied with emergency battery backup ballast** - A second supply wire connection point is provided on the back of luminaire and marked for the emergency ballast. The emergency ballast must be fed from the same branch circuit as the AC ballast but from an unswitched source.
10. Mount luminaire to mounting plate by sliding from top to bottom over plate. See Figures 6 and 6A.  
**IMPORTANT: Luminaire door cannot be positioned facing up in wet location applications!**
11. Tighten 2 clamp screws evenly. See Figures 6 and 6A.

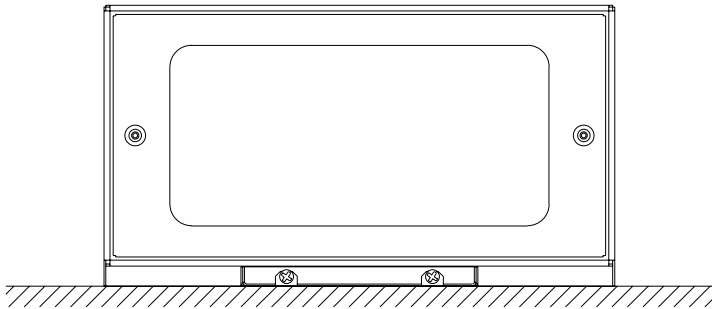


Figure 6

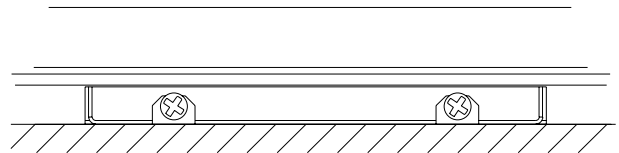


Figure 6A

12. Open door, install lamp(s), close door.
13. **If luminaire is supplied with emergency battery backup ballast** - The battery connector must be joined for proper emergency operation. Open the door, remove the reflector and remove the warning label over the socket. Find the red and white wires with quick connect terminals and connect together. One of the sockets may now be energized with any residual charge in the battery from the factory. Re-install reflector, install lamp(s) and close door. See additional instruction sheet supplied for further information on the emergency ballast.

#### Questions?

Call LSI Field Service

1-800-436-7800 Ext. 3300 or Fax 1-877-861-1368

