

INSTALLATION AND ASSEMBLY INSTRUCTIONS

PTWS PARTIOT SERIES WALL SCONCE LUMINAIRE

- HID LUMINAIRES ONLY-

* FOR COMPACT FLUORESCENT LUMINAIRES ONLY, SEE PAGES 3 & 4 *



Listed for wet locations,
door facing up or down

WARNING: Disconnect power before servicing.

WARNING: Verify the existing input voltage. Make sure it matches the pre-wired voltage of the luminaire. Wires protruding out of wireway hole are clearly marked to show luminaire's pre-wired voltage.

WARNING: To prevent wiring damage or abrasion, do not expose wiring to edges of sheet metal or other sharp objects.

1. Remove luminaire and mounting plate from carton. Place luminaire on cardboard or towels to protect finish. Position luminaire so clamp screws are facing up. See Figure 1.
2. Loosen 2 clamp screws on back of luminaire, so that no screw threads are showing past PEM nuts. See Figure 2. Set mounting plate and gasket aside. **Note: Do not remove screws or clamp!**

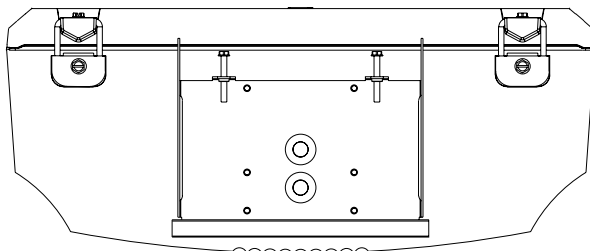


Figure 1

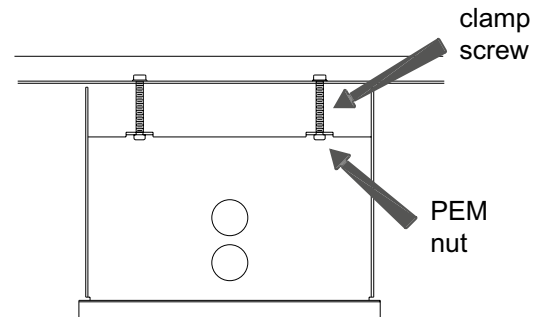


Figure 2

3. Mount either an octagonal or square junction box (not supplied) to wall (recessed or surface). See Figure 3.
4. Place gasket over junction box opening. Secure luminaire mounting plate (supplied) to junction box temporarily using junction box screws. Make sure mounting plate's longest sides are running horizontal, not vertical. See Figure 4.

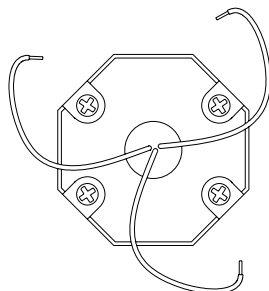


Figure 3

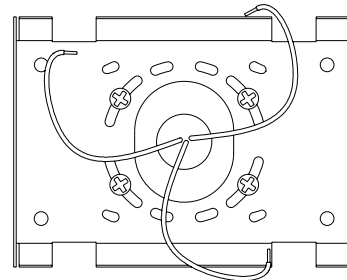


Figure 4



INSTALLATION AND ASSEMBLY INSTRUCTIONS, con't.

PTWS SERIES - HID LUMINAIRES ONLY, cont'd.

5. Level mounting plate to wall using a spirit level. See Figure 5.
6. If junction box is recessed into wall (flush with wall surface), mark 4 large holes onto wall. Secure plate to wall with suitable fasteners and anchors. See Figure 6. **Warning: Do not rely on junction box screws alone to secure mounting plate to wall!** Proceed to Step 8
7. If junction box is surface-mounted to wall, secure mounting plate to junction box. Proceed to Step 8.

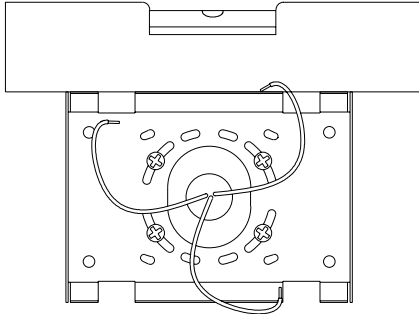


Figure 5

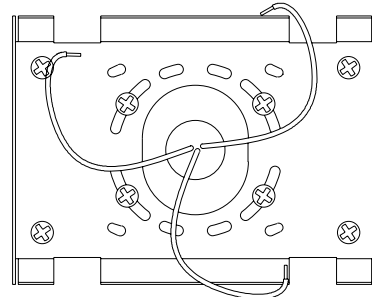
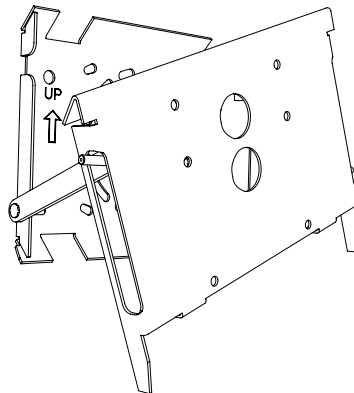


Figure 6

8. Hook each fixture mounting arm pin into the long slots on the mounting wall plate. Allow the fixture to hang off the arms while completing the wire connections per National Electric Code. See Figure 7 below.

Figure 7

NOTE: Luminaire removed to show clarity of both brackets! DO NOT REMOVE LUMINAIRE FROM BRACKET!



WARNING: Verify the existing input voltage. Make sure it matches the pre-wired voltage of the luminaire. Wire protruding out of the wireway hole is clearly marked to show luminaire's pre-wired voltage. Place and secure all wiring and connections in the junction box.

9. While keeping the mounting arm pins in their slots, mount the luminaire to the wall mounting plate by sliding from top to bottom over the plate. See Figure 8.
10. Tighten 2 clamp screws evenly. See Figure 9.
11. Open door, install lamp, close door. This completes installation of HID luminaires.

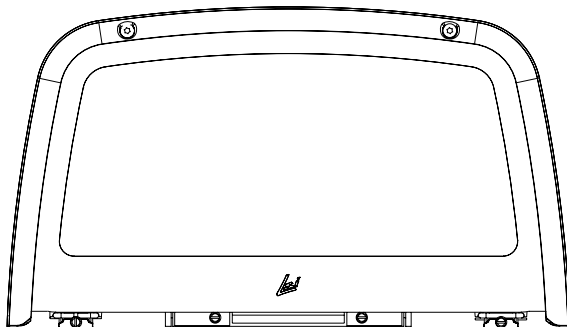


Figure 9



Figure 9



INSTALLATION AND ASSEMBLY INSTRUCTIONS, con't.

PTWS SERIES - FLUORESCENT LUMINAIRES

- FLUORESCENT LUMINAIRES ONLY -

WARNING: Disconnect power before servicing.

WARNING: Verify the existing input voltage. The luminaire is supplied with a universal input voltage ballast suitable for any input voltage between 120v and 277v (50 Hz and 60 Hz) or with a 347v (60 Hz) input only ballast.

WARNING: To prevent wiring damage or abrasion, do not expose wiring to edges of sheet metal or other sharp objects.

1. Remove luminaire and mounting plate from carton. Place luminaire on cardboard or towels to protect finish. Position luminaire so clamp screws are facing up. See Figure 1.
2. Loosen 2 clamp screws on back of luminaire, so no screw threads are showing past PEM nuts. See Figure 2. Set mounting plate and gasket aside. **Note: Do not remove screws or clamp!**

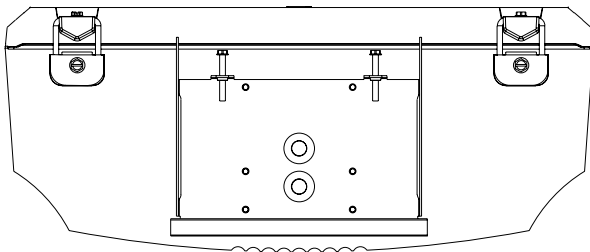


Figure 1

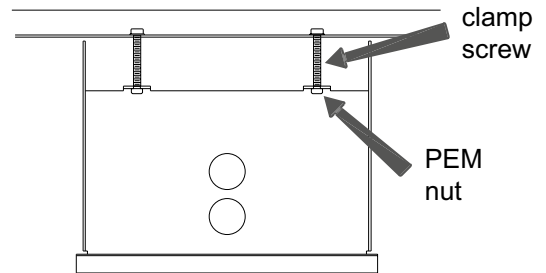


Figure 2

3. Mount either an octagonal or square junction box (not supplied) to wall (recessed or surface). See Figure 3.
4. Place gasket over junction box opening. Secure luminaire mounting plate (supplied) to junction box temporarily using junction box screws. Make sure mounting plate's longest sides are running horizontal, not vertical. See Figure 4.

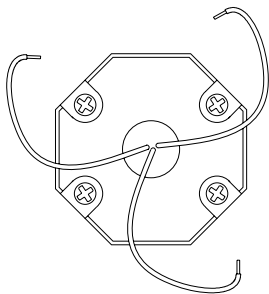


Figure 3

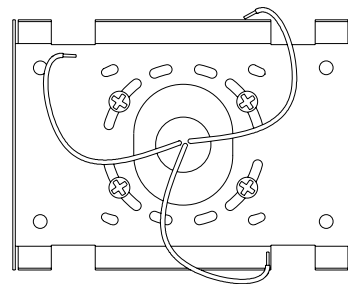


Figure 4

5. Level mounting plate to wall using a spirit level. See Figure 5.
6. If junction box is recessed into wall (flush with wall surface), mark 4 large holes onto wall. Secure plate to wall with suitable fasteners and anchors. See Figure 6. **Warning: Do not rely on junction box screws alone to secure mounting plate to wall!** Proceed to Step 7.
7. If junction box is surface-mounted to wall, secure mounting plate to junction box. Proceed to Step 8.

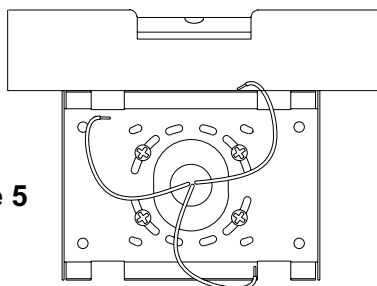


Figure 5

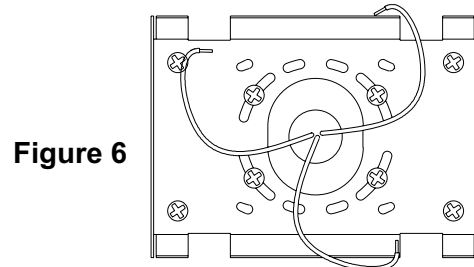


Figure 6



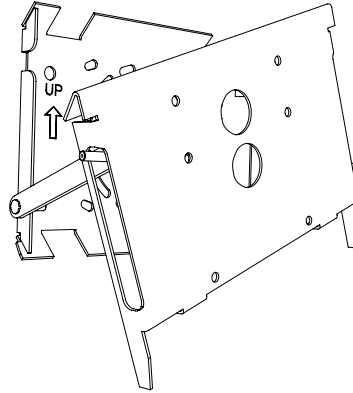
INSTALLATION AND ASSEMBLY INSTRUCTIONS, con't.

PTWS SERIES - FLUORESCENT LUMINAIRES ONLY, cont'd.

8. Hook each fixture mounting arm pin into the long slots on the mounting wall plate. Allow the fixture to hang off the arms while completing the wire connections per National Electric Code. See Figure 7 below.

Figure 7

NOTE: Luminaire removed to show clarity of both brackets! DO NOT REMOVE LUMINAIRE FROM BRACKET!



WARNING: Verify the existing input voltage. Make sure it matches the pre-wired voltage of the luminaire. Refer to the luminaire product label for the voltage specification. Place and secure all wiring and connections in the junction box.

If luminaire is supplied with dimming ballast - An additional gray (-) and violet (+) wire will be provided at the back of the luminaire for connection to a Class 1 or Class 2 low-voltage control circuit of 1-10V.

If luminaire is supplied with emergency battery backup ballast - A second supply wire connection point is provided on the back of luminaire and marked for the emergency ballast. The emergency ballast must be fed from the same branch circuit as the AC ballast but from an unswitched source.

9. While keeping the mounting arm pins in their slots, mount the luminaire to the wall mounting plate by sliding from top to bottom over the plate. See Figure 8.
10. Tighten 2 clamp screws evenly. See Figure 9

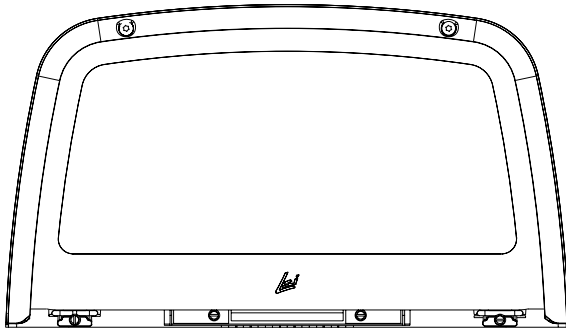


Figure 8

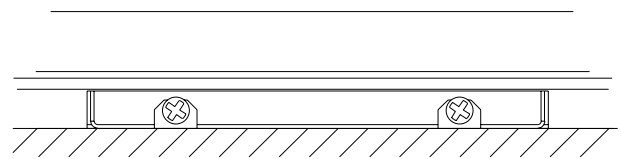


Figure 9

11. Open door, install lamp(s), close door.
12. **If luminaire is supplied with emergency battery backup ballast** - The battery connector must be joined for proper emergency operation. Open the door, remove the reflector and remove the warning label over the socket. Find the red and white wires with quick connect terminals and connect together. One of the sockets may now be energized with any residual charge in the battery from the factory. Re-install reflector, install lamp(s) and close door. See additional instruction sheet supplied for further information on the emergency ballast.

Questions?

Call LSI Field Service

1-800-436-7800 Ext. 3300 or Fax 877-861-1368

