

Gold Override (GOV)

Installation Guide



Gold Platform ©

1.1 Mounting

- Step 1. Turn power off at the service panel.
- Step 2. Use appropriate hardware to mount the Override enclosure to the intended structure (wall or pole).
- Step 3. Thread on antenna and make sure enclosure is vertically aligned.
- Step 4. Secure the enclosure to prevent any damage.

1.2 Line Voltage Wiring

- Step 1. Remove panel cover and set aside.
- Step 2. Connect the device to the circuit as shown in the wiring diagram below.

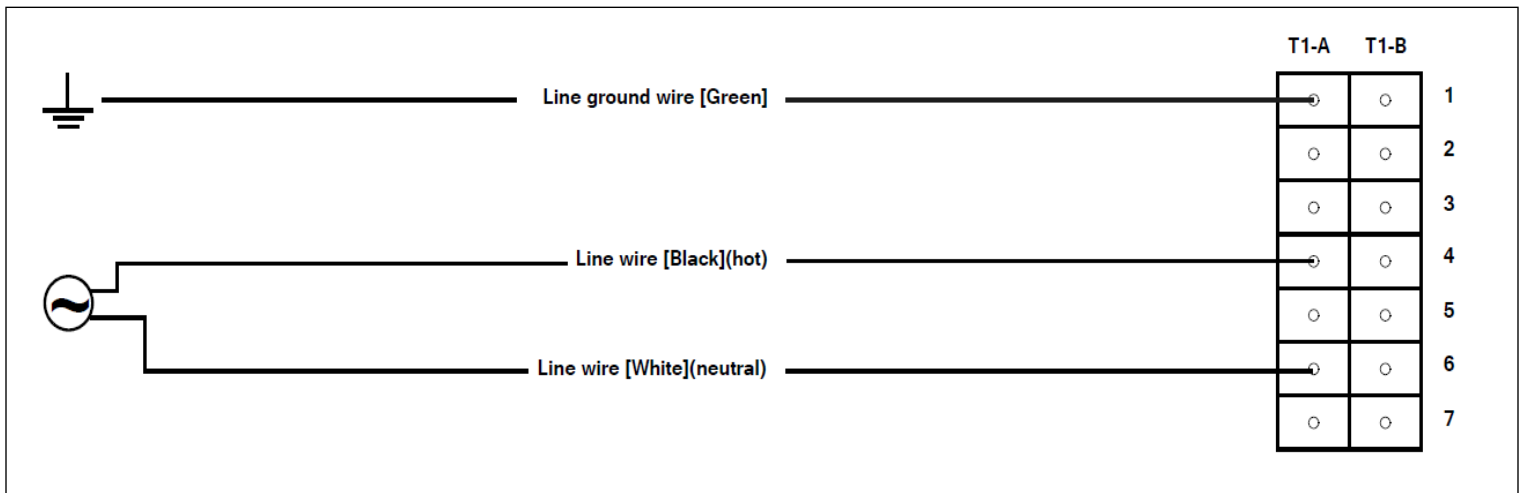


Figure 1: GOV Wiring Guide

TERMINAL BLOCK TORQUE SPECIFICATION

0.6N-m < t < 0.8N-m,
5.3in-lb < t < 7.1in-lb

Power Wiring Connections, 120 Vac, 208 Vac, 240 Vac, 277 Vac

1. Green supply wire (ground) to the green terminal block T1-A-1
 2. White supply wire (neutral) to the white terminal block T1-A-6
 3. Black supply wire (hot) to the black terminal block T1-A-4
- Step 3. Reinstall panel cover with provided screws.
 - Step 4. Restore power at service panel.
 - Step 5. LED Indicators:
 - GREEN LED on the enclosure means power is on.
 - RED LED indicates that override is active.

Step 6. Perform system setup and/or programming activities as applicable in accordance with the instructions of the system programming device.

Copyright © 2015 by LSI Controls

All rights reserved.

For permission requests, please contact at:

15268 NW Greenbrier Parkway
Beaverton, OR 97006
1-844-444-4476
www.lsi-industries.com

