

Gold Motion Sensor (GMO HB/LT EXT/SS)



Installation Guide



1.1 Mounting

- Step 1. Turn power off at the service panel.
- Step 2. Use appropriate hardware to mount the Motion Sensor to the intended structure (wall or pole).
- Step 3. Thread on antenna and make sure enclosure is vertically aligned.
- Step 4. Secure the enclosure to prevent any damage.

1.2 Line Voltage Wiring

- Step 1. Remove panel cover and set aside.
- Step 2. Connect the device to the circuit as shown in the wiring diagram below.

TERMINAL BLOCK TORQUE SPECIFICATION

0.6N-m < t < 0.8N-m,
5.3in-lb < t < 7.1in-lb

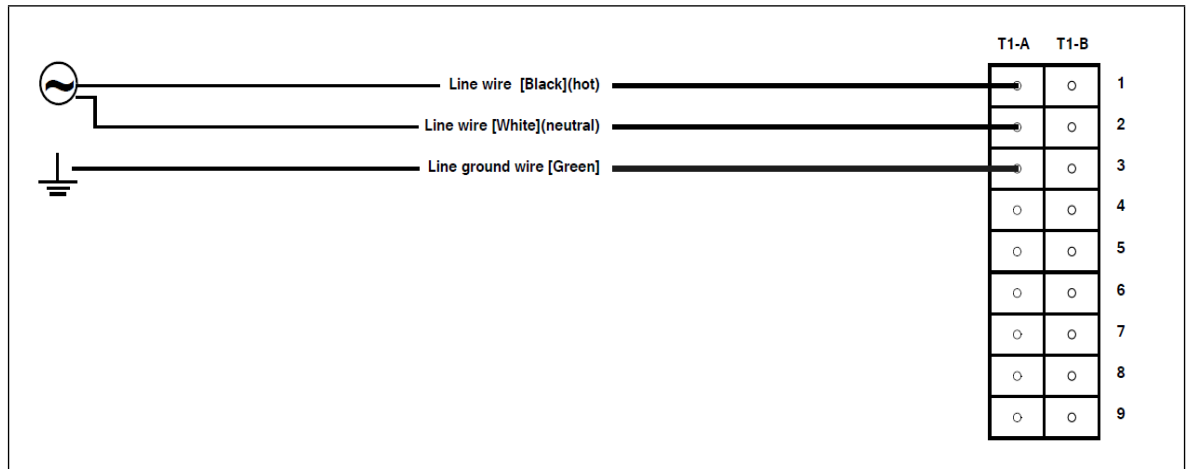


Figure 1: GMO 120 VAC Wiring Guide

Power Wiring Connections, 120 VAC

- 1. Green supply wire (Ground) to the green terminal block T1-A-3
- 2. Black supply wire (Phase 1) to the black terminal block T1-A-1
- 3. White supply wire (Neutral) to the red terminal block T1-A-2

**DO NOT CONNECT TO ANY OF THE REMAINING TERMINALS.
CAP ALL TRANSFORMER WIRES FOR SAFETY.**

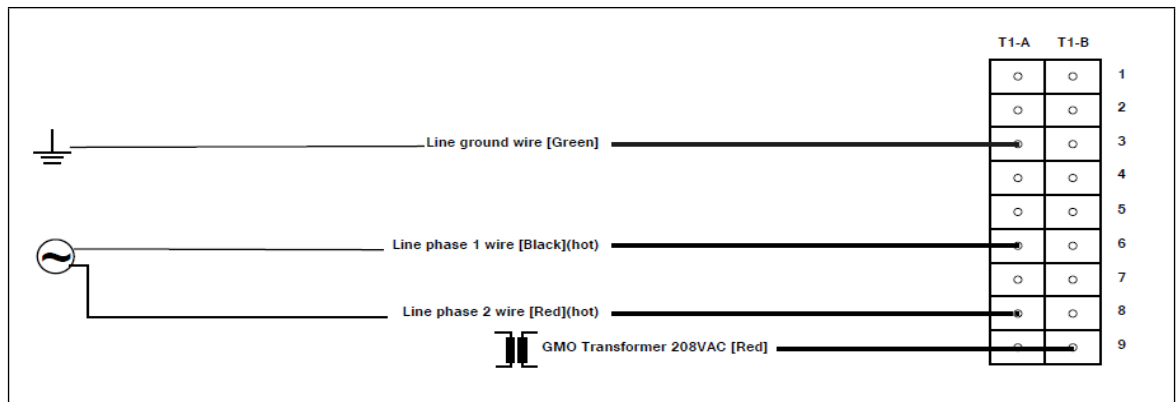


Figure 2: GMO 208 VAC Wiring Guide

Power Wiring Connections, 208 VAC

- 1. Green supply wire (Ground) to the green terminal block T1-A-3

2. Black supply wire (Phase 1) to the black terminal block T1-A-6
3. Red supply wire (Phase 2) to the red terminal block T1-A-8
4. 208 VAC Red Transformer supply wire (Phase 2) to the red terminal block T1-B-9

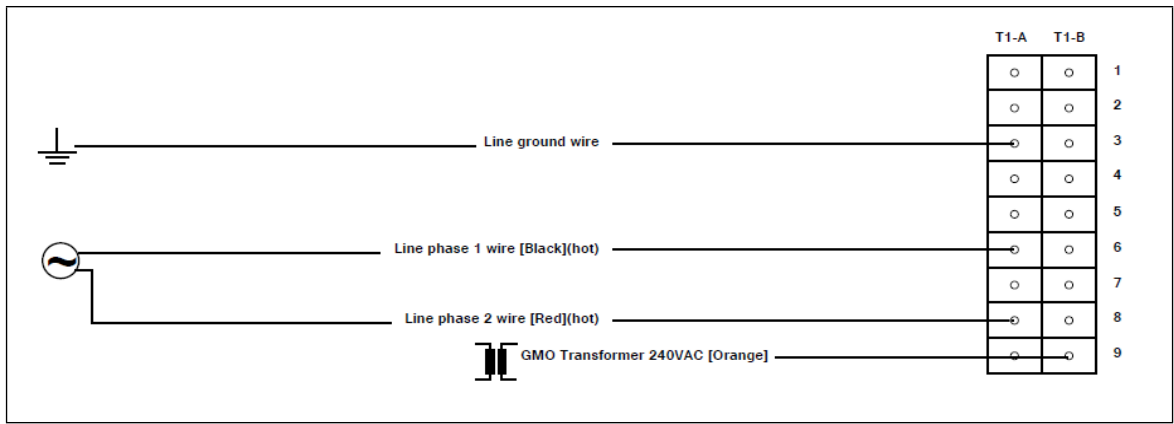


Figure 3: GMO 240 VAC Wiring Guide

Power Wiring Connections, 240 VAC

1. Green supply wire (Ground) to the green terminal block T1-A-3
2. Black supply wire (Phase 1) to the black terminal block T1-A-6
3. Red supply wire (Phase 2) to the red terminal block T1-A-8
4. 240 VAC Orange Transformer supply wire (Phase 2) to the red terminal block T1-B-9

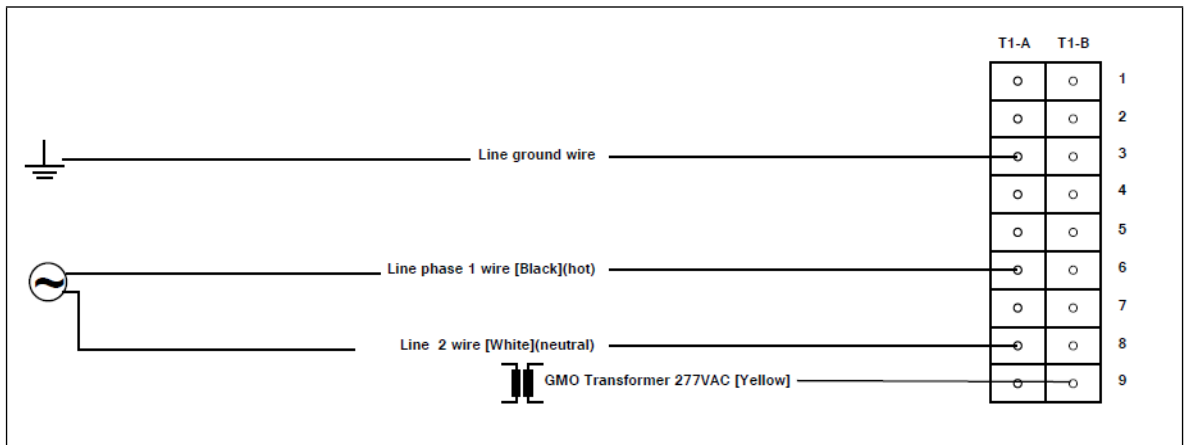


Figure 4: GMO 277 VAC Wiring Guide

Power Wiring Connections, 277 VAC

1. Green supply wire (Ground) to the green terminal block T1-A-3
2. Black supply wire (Phase 1) to the black terminal block T1-A-6
3. White supply wire (Neutral) to the red terminal block T1-A-8
4. 277 VAC Yellow Transformer supply wire (Phase 2) to the red terminal block T1-B-9

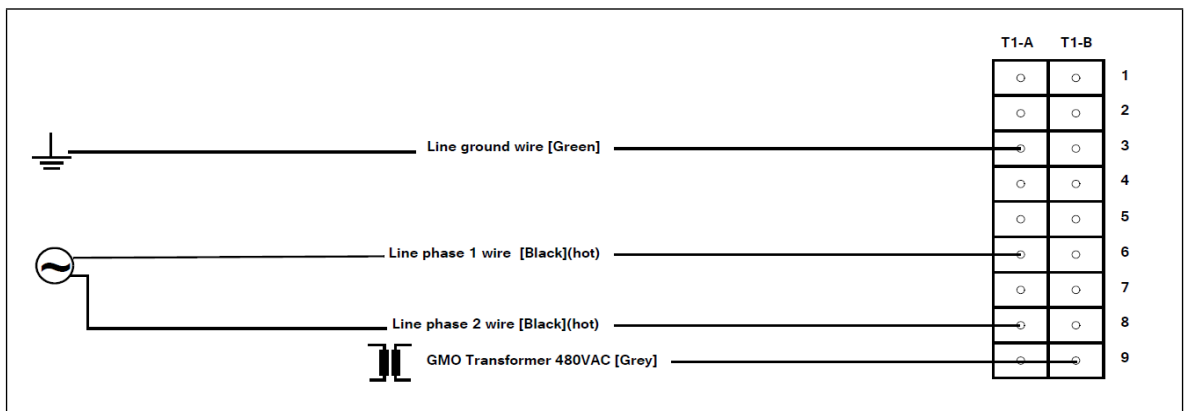


Figure 5: GMO 480 VAC Wiring Guide

Power Wiring Connections, 480 VAC

1. Green supply wire (Ground) to the green terminal block T1-A-3
2. Black supply wire (Phase 1) to the black terminal block T1-A-6
3. Red supply wire (Phase 2) to the red terminal block T1-A-8
4. 480 VAC Grey Transformer supply wire (Phase 2) to the red terminal block T1-B-9

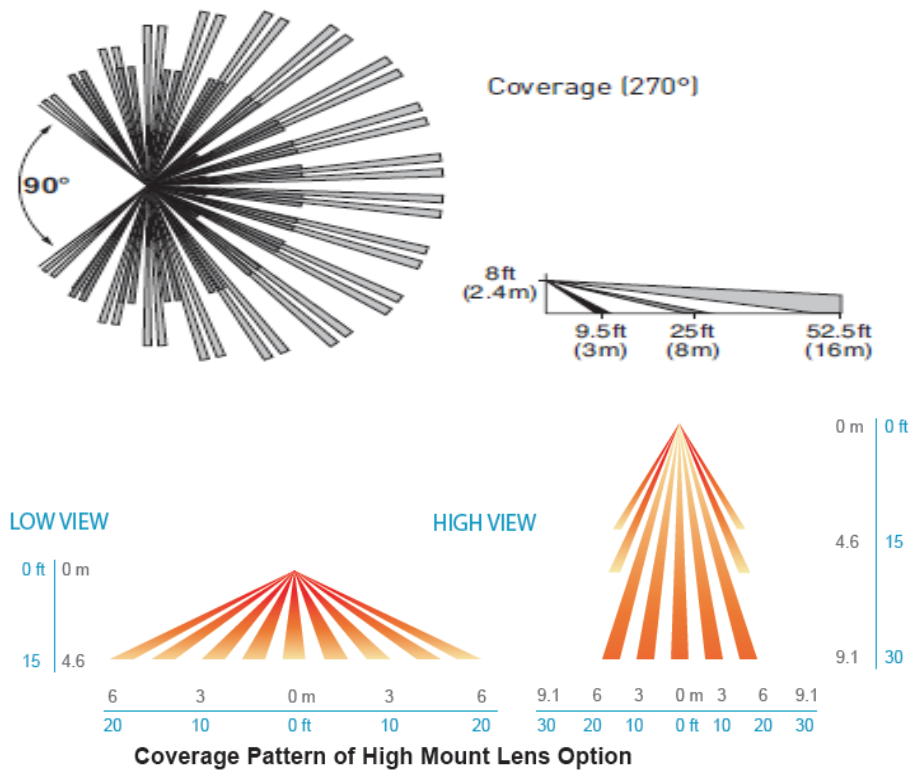
Step 3. Reinstall panel cover with provided screws.

Step 4. Restore power at service panel.

Step 5. LED Indicators:

- GREEN LED on the enclosure means power is on.
- RED LED indicates that the sensor is active (motion for occupancy)

Step 6. Perform system setup and/or programming activities as applicable in accordance with the instructions of the system programming device.



To orient the sensor position after product installation rotate conduit in the enclosure 90° counterclockwise and tighten nut inside of enclosure, then rotate sensor 180° at conduit elbow and tighten plastic nut to secure into position. There is a quarter turn locking feature present in the housing of the sensor to prevent over twisting wires while positioning, if the sensor rotates out of the locking feature push sensor housing back into conduit and rotate 90° clockwise then ensure plastic nut is loose and re-orient the sensor position.

Copyright © 2015 by LSI Controls

All rights reserved.

For permission requests, please contact at:



15268 NW Greenbrier Parkway
Beaverton, OR 97006
1-844-444-4476
www.lsi-industries.com