

Platinum Photo Sensor (PPH EXT/SS)



Installation Guide



1.1 Mounting

- Step 1. Turn power off at the service panel.
- Step 2. Use appropriate hardware to mount the Override enclosure to the intended structure (wall or pole).
- Step 3. Thread on antenna and make sure enclosure is vertically aligned.
- Step 4. Secure the enclosure to prevent any damage.

1.2 Line Voltage Wiring

- Step 1. Remove panel cover and set aside.
- Step 2. Connect the device to the circuit as shown in the wiring diagram below.

TERMINAL BLOCK TORQUE SPECIFICATION

0.6N-m < t < 0.8N-m,
5.3in-lb < t < 7.1in-lb

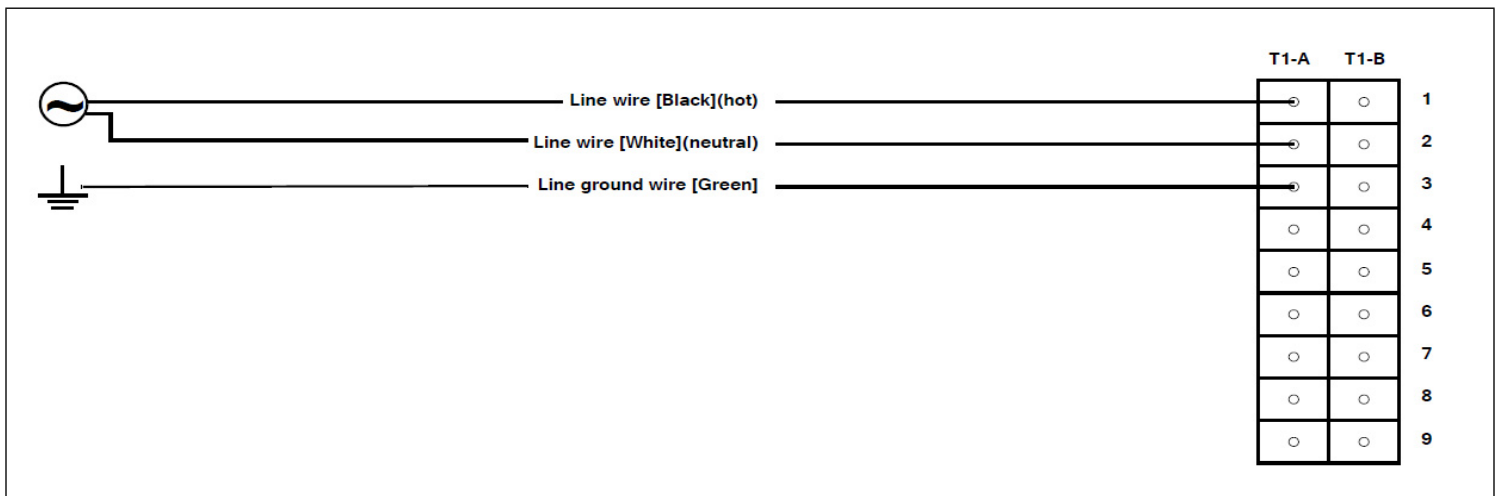


Figure 1: PPH 120 VAC Wiring Guide

Power Wiring Connections, 120 VAC

1. Green supply wire (Ground) to the green terminal block T1-A-3
 2. Black supply wire (Phase 1) to the black terminal block T1-A-1
 3. White supply wire (Neutral) to the red terminal block T1-A-2
- DO NOT CONNECT TO ANY OF THE REMAINING TERMINALS**
CAP ALL TRANSFORMER WIRES FOR SAFETY

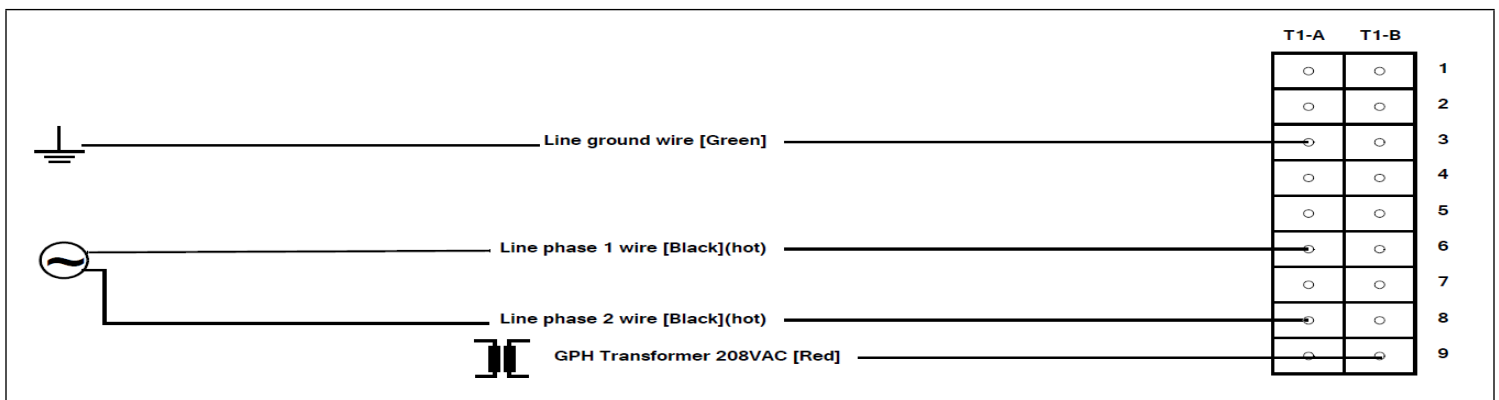


Figure 2: PPH 208 VAC Wiring Guide

Power Wiring Connections, 208 VAC

1. Green supply wire (Ground) to the green terminal block T1-A-3
2. Black supply wire (Phase 1) to the black terminal block T1-A-6
3. Red supply wire (Phase 2) to the red terminal block T1-A-8
4. 208 VAC Red Transformer supply wire (Phase 2) to the red terminal block T1-B-9

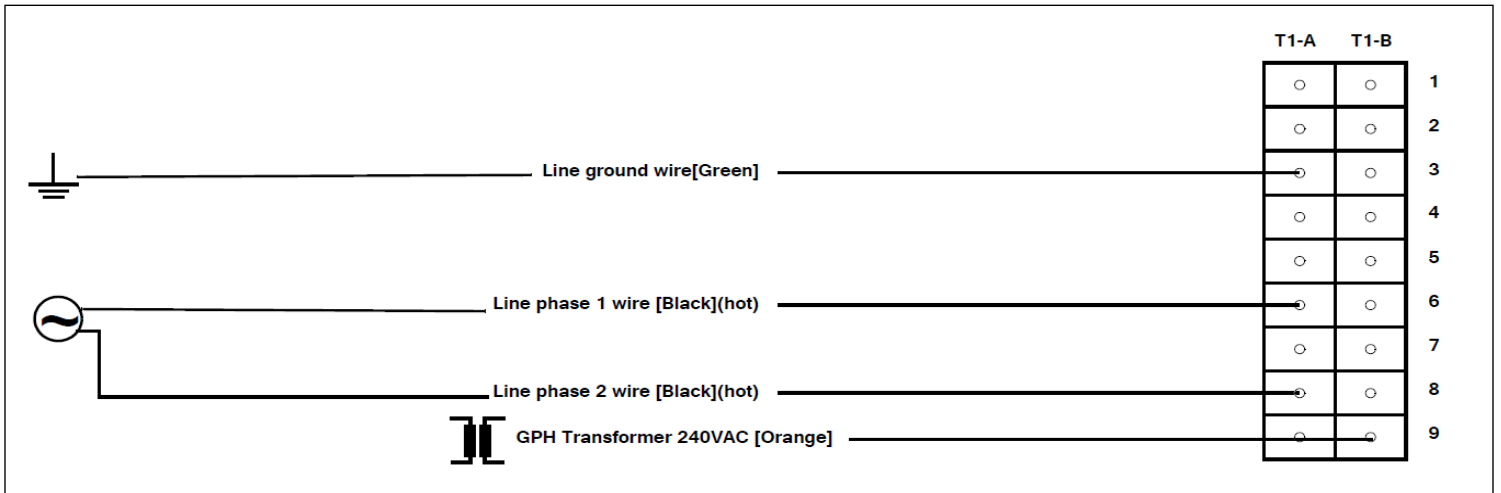


Figure 3: PPH 240 VAC Wiring Guide

Power Wiring Connections, 240 VAC

1. Green supply wire (Ground) to the green terminal block T1-A-3
2. Black supply wire (Phase 1) to the black terminal block T1-A-6
3. Red supply wire (Phase 2) to the red terminal block T1-A-8
4. 240 VAC Orange Transformer supply wire (Phase 2) to the red terminal block T1-B-9

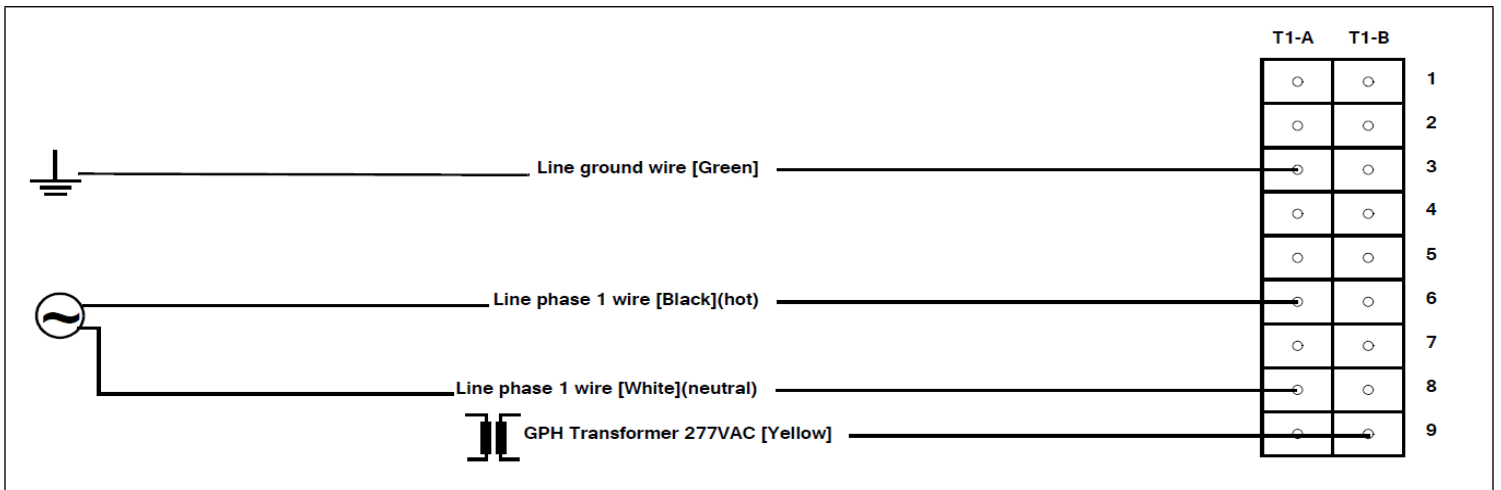


Figure 4: PPH 277 VAC Wiring Guide

Power Wiring Connections, 277 VAC

1. Green supply wire (Ground) to the green terminal block T1-A-3
2. Black supply wire (Phase 1) to the black terminal block T1-A-6
3. White supply wire (Neutral) to the red terminal block T1-A-8
4. 277 Vac Yellow Transformer supply wire (Neutral) to the red terminal block T1-B-9

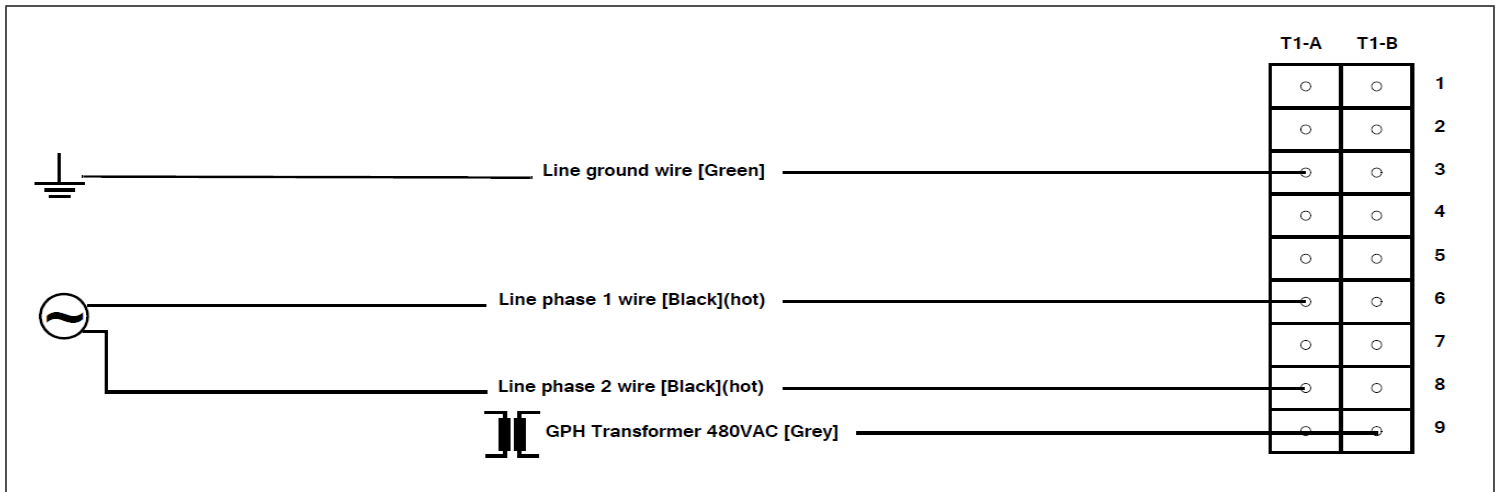


Figure 5: PPH 480 VAC Wiring Guide

Power Wiring Connections, 480 VAC

1. Green supply wire (Ground) to the green terminal block T1-A-3
2. Black supply wire (Phase 1) to the black terminal block T1-A-6
3. Red supply wire (Phase 2) to the red terminal block T1-A-8
4. 480 VAC Grey Transformer supply wire (Phase 2) to the red terminal block T1-B-9

Step 3. Reinstall panel cover with provided screws.

Step 4. Restore power at service panel.

Step 5. LED Indicators:

- GREEN LED on the enclosure means power is on.
- RED LED indicates that the sensor is active.

Step 6. Perform system setup and/or programming activities as applicable in accordance with the instructions of the system programming device.

Copyright © 2015 by LSI Controls

All rights reserved.

For permission requests, please contact at:

15268 NW Greenbrier Parkway

Beaverton, OR 97006

1-844-444-4476

www.lsi-industries.com

