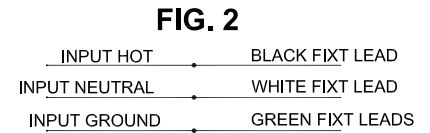
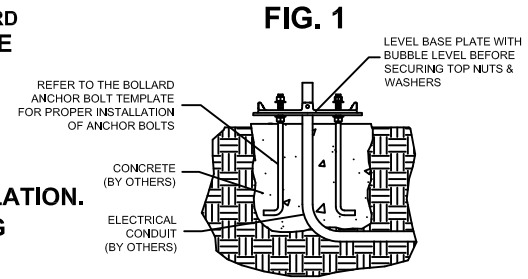


XHYP3 LED BOLLARD INSTALLATION INSTRUCTIONS

- WARNING:** BEFORE PROCEEDING, READ ALL INSTRUCTIONS CAREFULLY TO INSURE PROPER AND SAFE INSTALLATION.
- WARNING:** RISK OF FIRE OR ELECTRICAL SHOCK. DISCONNECT POWER BEFORE INSTALLING OR SERVICING.
- WARNING:** RISK OF ELECTRICAL SHOCK.
- WARNING:** ALL WIRING TO BE PERFORMED PER NATIONAL ELECTRICAL CODE AND LOCAL CODE BY A QUALIFIED ELECTRICIAN.
- WARNING:** VERIFY THAT SITE INPUT VOLTAGE MATCHES DRIVER VOLTAGE RATING BEFORE WIRING.
- WARNING:** FAILURE TO FOLLOW THE INSTRUCTIONS COULD RESULT IN DAMAGE TO THE PRODUCT & VOID ALL WARRANTIES!
- WARNING:** NO END USER SERVICEABLE PARTS INSIDE FIXTURE HEAD. DO NOT ATTEMPT TO SERVICE. CONSULT FACTORY.
- NOTE:** MAKE CERTAIN ALL UNUSED LEADS ARE CAPPED INDIVIDUALLY! FAILURE TO DO SO MAY SHORT OUT LUMINAIRE AND VOID WARRANTY!
- NOTE:** KEEP THESE INSTRUCTIONS FOR FUTURE REFERENCE.

INSTALLATION: TOOLS REQUIRED: • BUBBLE LEVEL • HAMMER • 2 x 4 BOARD
!!IMPORTANT! - INSTALL ANCHOR BOLTS PER TEMPLATE 45102 SO THAT BASEPLATE ATTACHMENT PINS ARE CORRECTLY ORIENTED TOWARDS WALKWAY/PATH TO BE ILLUMINATED. SEE FIG 3 BELOW SHOWING CORRECT ORIENTATION OF BASEPLATE TO ADJACENT SIDEWALK/PATHWAY.

1. MAKE CERTAIN THE POWER SUPPLY IS TURNED OFF BEFORE STARTING INSTALLATION.
2. MOUNT BASE PLATE ON ANCHOR BOLTS. SEE FIG. 2 & ANCHOR BOLT MOUNTING TEMPLATE LSI P/N 45102. ELECTRICAL CONDUIT SHOULD COME UP AS NEAR TO THE CENTER OF THE BOLT PATTERN AS POSSIBLE.
3. CONNECT SUPPLY LEADS OBSERVING POLARITY, LINE VOLTAGE TO BLACK, NEUTRAL TO WHITE & GREEN TO CIRCUIT GROUND. (SEE FIG. 2)
4. CABLE TIE SUPPLY WIRES & EXTENDED LEADS SO CONNECTION SPLICES ARE 6" MIN. ABOVE GROUND LEVEL TO AVOID WETTING FROM FLOODING.
5. SLIDE THE FIXTURE OVER THE BASE PLATE, ALIGN THE MACHINED HOLES IN THE BASE OF THE BOTTOM HOUSING WITH THE HOLES IN THE FIXTURE BASE PLATE. FOR XHYP3 180 LED 16 UNITS MAKE SURE UNIT IS ORIENTED SO 180 DEG DISTRIBUTION IS AIMED TOWARDS WALKWAY OR DESIRED DIRECTION OF LIGHT. TO ENSURE PROPER ALIGNMENT, PARTIALLY INSTALL (4X) STAINLESS STEEL DRIVE PINS INTO HOUSING. AFTER ALIGNING, SET DRIVE PINS INTO HOLES BEING CAREFUL NOT TO DAMAGE FIXTURE PAINT FINISH. A 2 x 4 BOARD MAY BE USED TO PREVENT PAINT DAMAGE WHEN INSTALLING DRIVE PINS WITH HAMMER.



! IMPORTANT ! - INSTALL ANCHOR BOLTS & BASEPLATE AS SHOWN SO THAT ANCHOR BOLT & DRIVE PIN ARE ADJACENT TO WALKWAY AS SHOWN.

LIGHTING ORIENTATION OF 180 DISTRIBUTION UNIT MUST BE INSTALLED WITH LED ARRAY AIMED TOWARDS WALKWAY OR DESIRED DIRECTION OF ILLUMINATION.

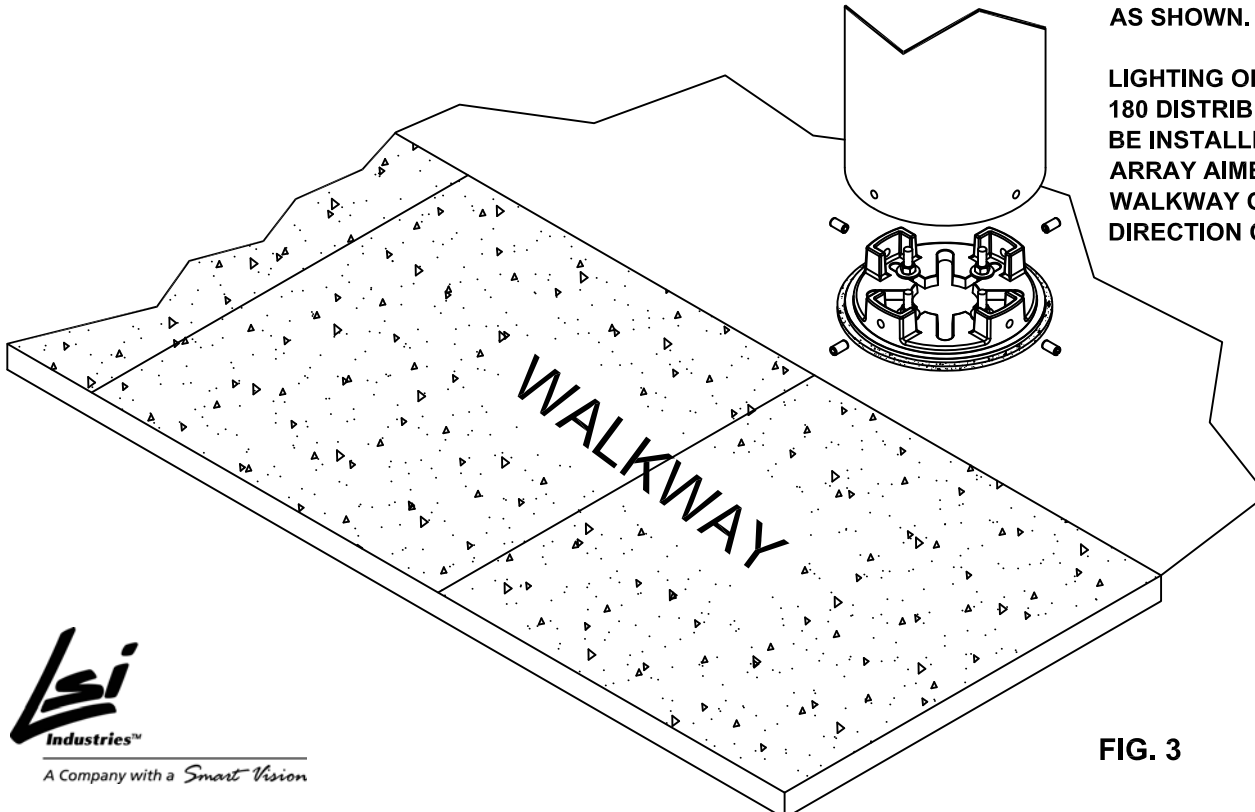


FIG. 3

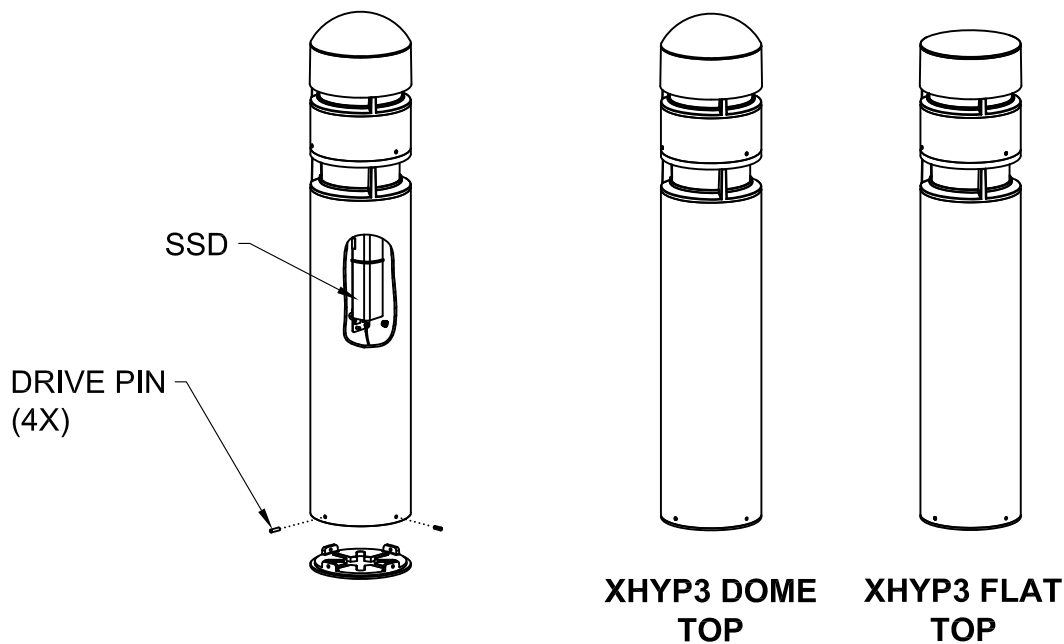


A Company with a Smart Vision

XHYP3 LED BOLLARD INSTALLATION INSTRUCTIONS

LED DRIVER SSD SERVICE: TOOLS REQUIRED: • HAMMER • 1/4" PIN PUNCH

1. SSD IS SERVICED FROM BOTTOM HOUSING OF FIXTURE. DO NOT ATTEMPT TO ACCESS FROM TOP FIXTURE HEAD. NO END USER SERVICEABLE PARTS INSIDE TOP FIXTURE HEAD.
2. MAKE CERTAIN THE POWER SUPPLY IS TURNED OFF BEFORE SERVICING.
3. DRIVE ROLL PINS THRU THE HOUSING WITH PIN PUNCH AND HAMMER.
4. CAREFULLY LAY THE FIXTURE ON CARDBOARD TO PROTECT PAINT FINISH.
5. REMOVE THE THUMB NUT HOLDING THE SSD TO MOUNTING PLATE.
6. DISCONNECT THE SSD CONNECTORS AND SLIDE OUT OF BOTTOM HOUSING.
7. RECONNECT REPLACEMENT SSD TO SSL CONNECTOR & INCOMING POWER.
8. SLIDE SSD ONTO PLATE HOOKING SSD UNDER TAB AND TIGHTEN THumbnUT.
9. REPLACE FIXTURE ON BASEPLATE AND REINSTALL PINS PER ABOVE INSTRUCTIONS.



INSTALLATION QUESTIONS?
CALL LSI FIELD SERVICE
800-436-7800 EXT 3300
FAX 513-984-9723

XHYP3 LED BOLLARD INSTALLATION INSTRUCTIONS

FOR BB & CWBB EMERGENCY BATTERY BACK UP OPTION ONLY:

NOTE: READ EMERGENCY BATTERY BACK UP MANUFACTURER'S INSTRUCTIONS FOR DETAILED INFO PERTAINING TO EMERGENCY SYSTEM OPERATION, AND REPLACEMENT BB SYSTEM PARTS. REPLACE BATTERY PILE WITH EXACT MATCHING PARTS ONLY.

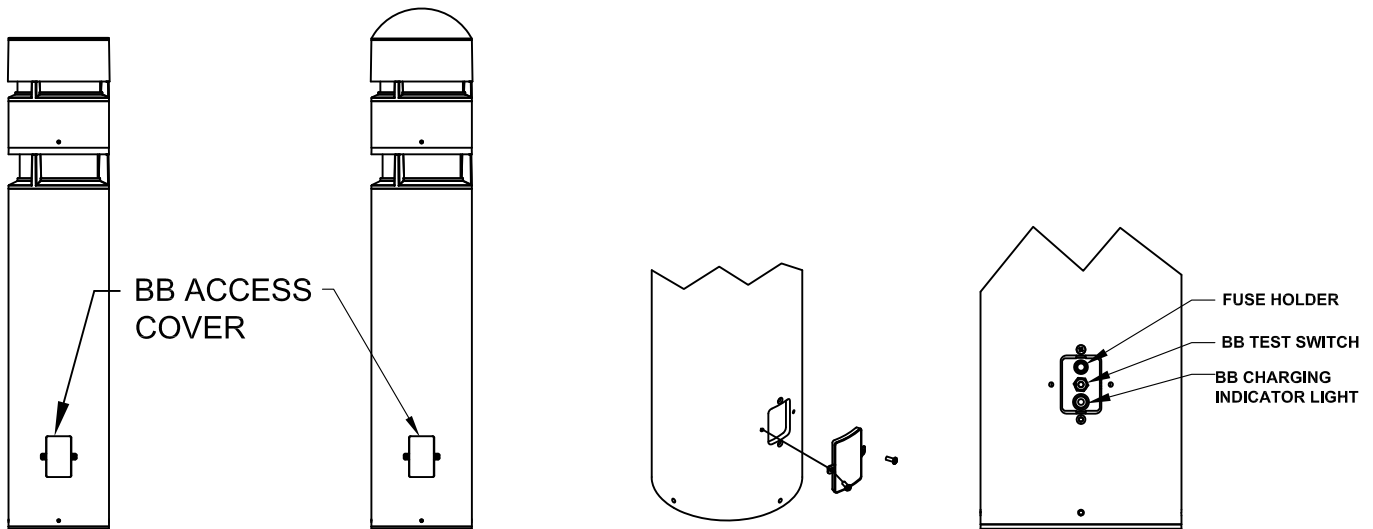
NOTE: EMERGENCY BATTERY BACKUP FIXTURES MUST BE SUPPLIED WITH BOTH SWITCHED AND UNSWITCHED POWER CIRCUITS. SWITCHED CIRCUIT FOR NORMAL OPERATION OF XHYP3 FIXTURE, AND UNSWITCHED CIRCUIT FOR BATTERY CHARGING & SYSTEM POWER MONITORING.

FUSE INSTALLATION:

1. COMPLETE FIXTURE INSTALLATION PER ABOVE INSTRUCTIONS.
2. SUPPLY AC POWER TO XHYP3 FIXTURE.
3. REMOVE COVER LOCATED ON LOWER FIXTURE HOUSING TO EXPOSE FUSEHOLDER. FUSE IS TAPED TO INSIDE OF COVER.
3. TURN THE FUSE HOLDER CAP COUNTERCLOCKWISE AND PULL OUT TO REMOVE. INSERT FUSE INTO CAP. INSTALL THE FUSE HOLDER CAP & FUSE INTO FUSE HOLDER. TURN THE CAP CLOCKWISE. EMERGENCY BATTERY BACKUP SYSTEM IS NOW FUNCTIONAL, AND BATTERY CHARGING LIGHT WILL ILLUMINATE INDICATING CHARGING. REPLACE COVER.

EMERGENCY BATTERY BACKUP TESTING:

1. REMOVE COVER LOCATED ON LOWER FIXTURE HOUSING TO EXPOSE TEST SWITCH. DEPRESS TEST SWITCH BUTTON TO SWITCH UNIT TO EMERGENCY OPERATION. 10 LED'S IN UPPER ARRAY WILL ILLUMINATE DURING TEST OPERATION OF EMERGENCY LIGHTING SYSTEM. REPLACE COVER.



**XHYP3 FLAT
TOP W/BB**

**XHYP3 DOME
TOP W/BB**

**XHYP3 W/BB
ACCESS COVER
REMOVED FOR
TEST OPERATION**



A Company with a *Smart Vision*

INSTALLATION QUESTIONS?
CALL LSI FIELD SERVICE
800-436-7800 EXT 3300
FAX 513-984-9723