

INSTALLATION AND ASSEMBLY INSTRUCTIONS

CRSK RECU CROSSOVER[®] SUPERKIT[®]

LSI RIC Richmond[®] / Whiteway CVC Civic[®] (old and new)



WARNING: Failure to follow instructions could result in damage to product and void warranties!

WARNING: Disconnect power before servicing. Risk of fire or electrical shock.

NOTE: Use only this installation instruction sheet!

Suggested Tools: #2 Philips-head screwdriver and non-metallic mallet

1. Unit is shipped in (3) parts: Luminaire, Inner Mount Panel, and Crossover[®] Specification Grade Sealant/Adhesive.

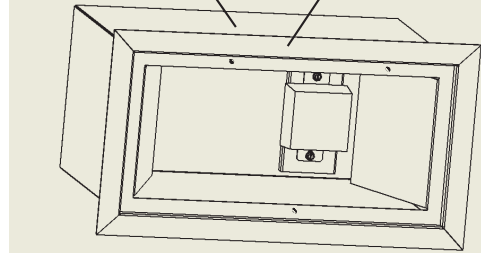
2. Open and remove old luminaire's lens frame assembly.

3. Remove lamp and lamp socket/bracket, and all reflector components. Dispose of all parts.

4. Disconnect incoming power supply leads from old ballast. Inspect condition of existing supply wiring. If wiring show signs of degradation due to excessive heat, replace incoming power leads with 90C minimum conductors.

Apply bead to canopy, next to old housing flange

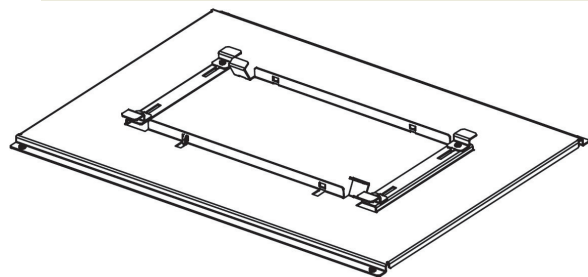
Apply bead to old housing flange



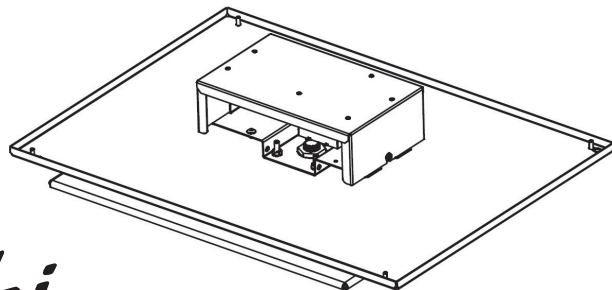
5. Inspect housing and seal up any holes or leaks inside with supplied Crossover[®] Specification Grade Sealant/Adhesive.

6. Apply a bead of supplied Sealant/Adhesive on flange of old housing.

7. Apply a bead of supplied Sealant/Adhesive on canopy deck, next to flange of old housing, using the flange as a guide.



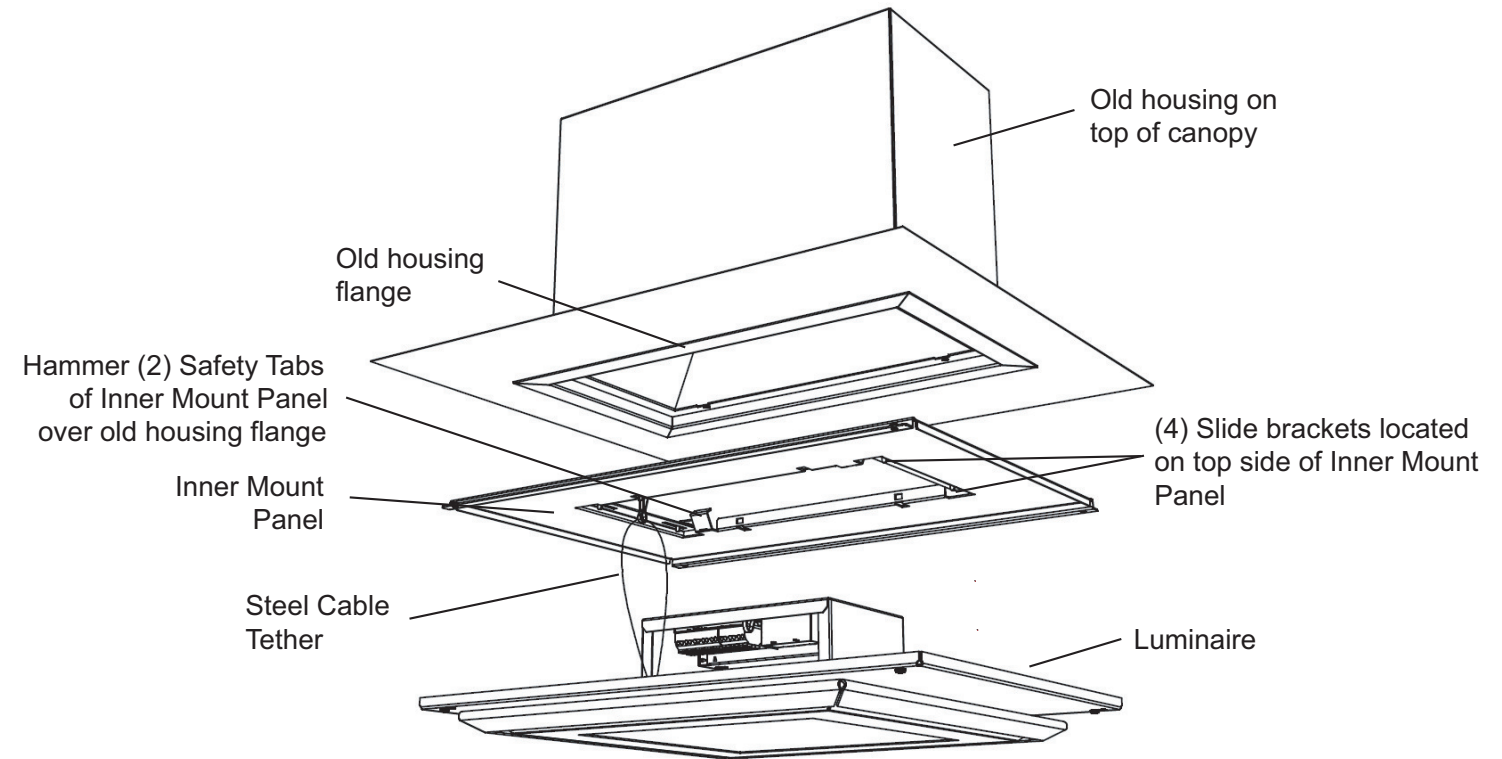
8. From carton, remove Inner Mount Panel lying on top of Luminaire; place aside for now.



9. From carton, remove Luminaire and place it on a protective surface with lens facing downward

Installation Questions?
Call LSI Field Service Department at:
1-800-436-7800 Ext. 3300
Fax: 1-877-861-1368

CRSK RECU SUPERKIT[®], cont'd.



10. With Slide Brackets pointing UP, align Inner Mount Panel to old housing. Position (4) Slide Brackets up and over existing housing flange. Slide brackets outward. Align Panel with Canopy, then tighten all (4) Slide Bracket screws.

11. Using a hammer, bend over both Safety Tabs of Inner Mount Panel over the inner flange of old housing.

12. With Luminaire in hand, lift up to Inner Mount Panel. Attach Steel Cable Tether from Luminaire to Inner Mount Panel. Allow the Luminaire to hang by Steel Cable Tether for hands-free wiring.

WARNING: Wiring to be performed by qualified licensed electrician only!

13. Make wiring connections between supply wiring and supplied wiring whip, inside old housing, using supplied wiring connectors. Wire per National Electrical Code and local code.

IMPORTANT: No wiring connections should lay atop Luminaire when installed!

14. There are (4) screws on Inner Mount Panel that secure Luminaire; these screws are already threaded into Inner Mount Panel. Loosen (2) "keyhole" screws and completely remove (2) "regular" screws. **NOTE: Focus models should be positioned to face dispenser!**

15. Align (2) keyhole slots on Luminaire to (2) loosened "keyhole" screws. Tighten both "keyhole" screws.

16. Install and tighten (2) "regular" screws.

