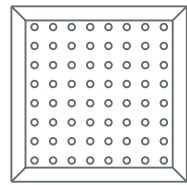


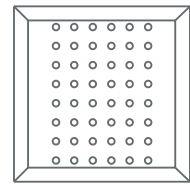
INSTALLATION AND ASSEMBLY INSTRUCTIONS
CRS SINGLE-DECK CROSSOVER® SERIES LUMINAIRE



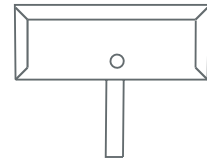
WARNING: Failure to follow instructions could result in damage to product and void warranties!
For new installations ONLY! For retrofit of existing luminaires refer to proper retrofit instructions!
Risk of fire or electrical shock. Disconnect power before installing or servicing.



84 LED Luminaire



64 LED Luminaire



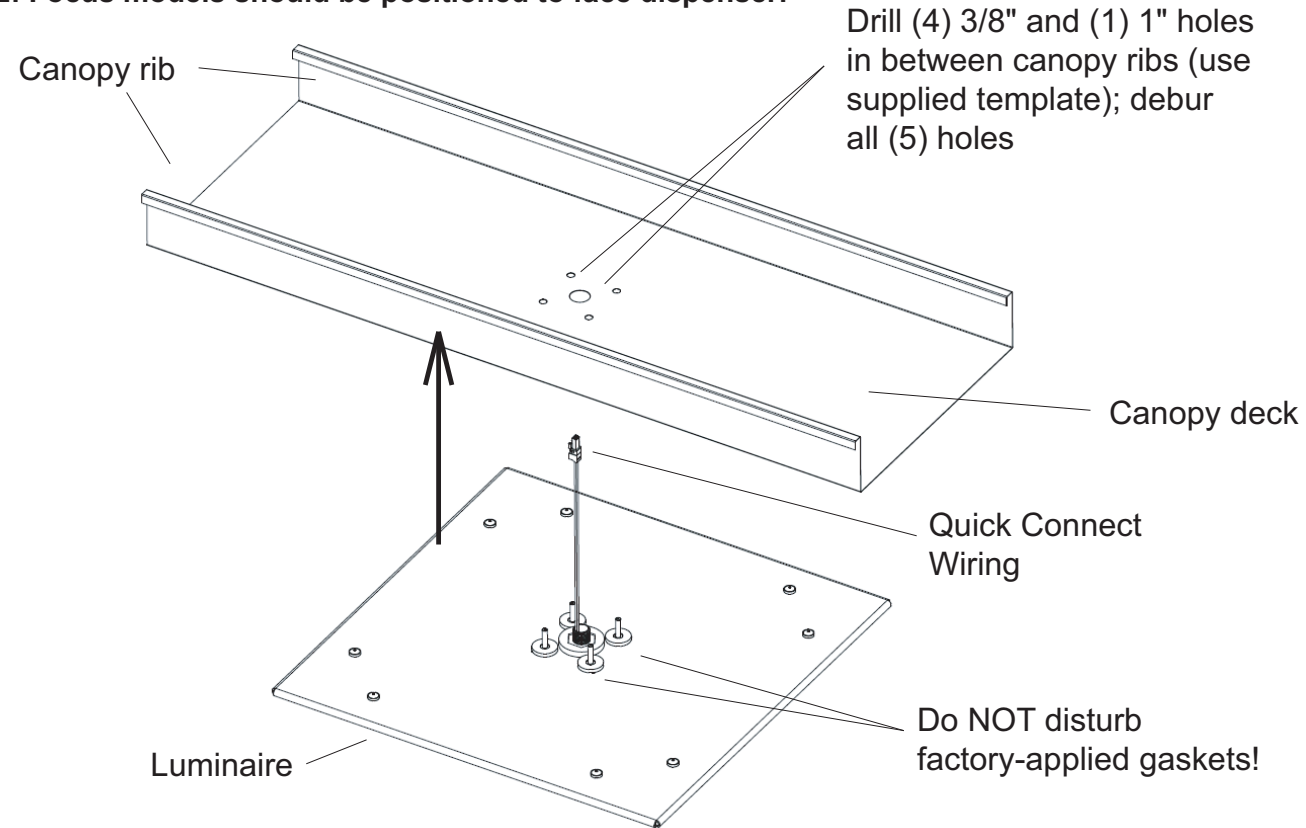
Driver for all Luminaires

Suggested Tools: Drill with 1" and 3/8" bits, Ratchet with 7/16" deep well socket, flat screwdriver

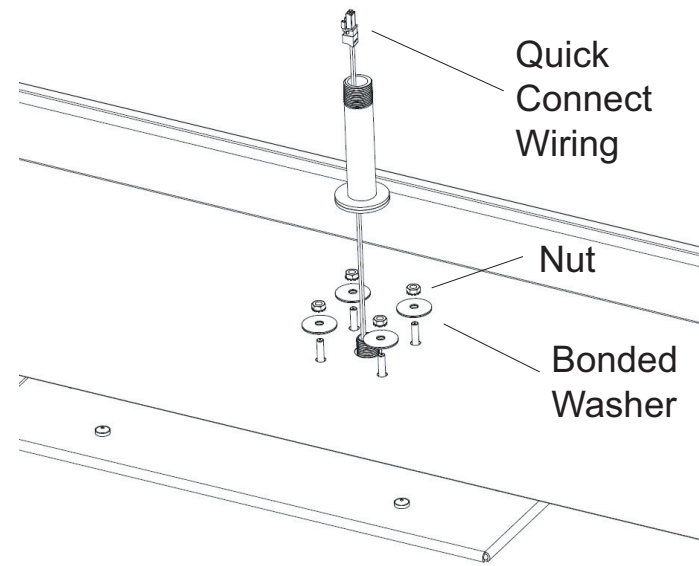
1 BENEATH CANOPY:

Mount luminaire in between ribs of canopy decking. Use supplied drill template. Drill and debur all (5) holes. Hold backside of Luminaire up to canopy. Feed quick connect wiring thru center hole. Push Luminaire into canopy.

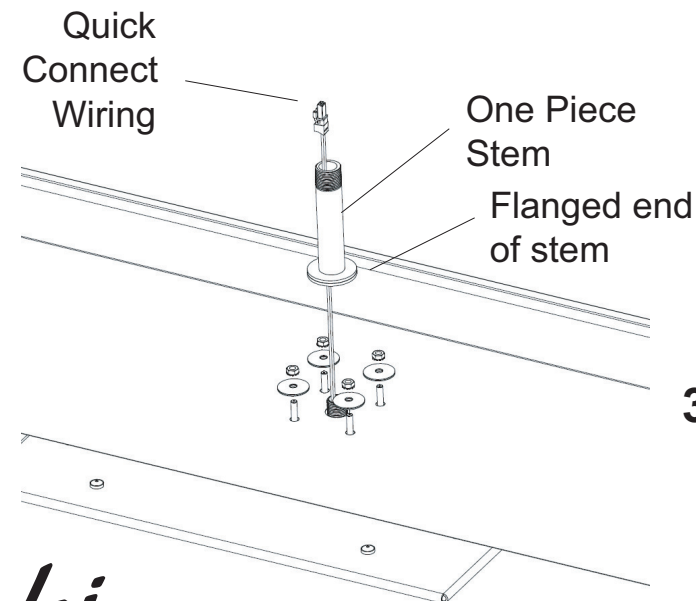
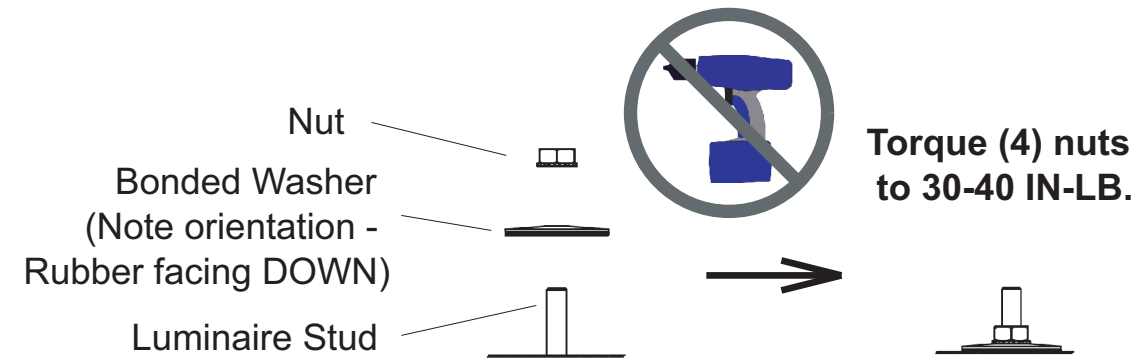
NOTE: Focus models should be positioned to face dispenser!



CRS SINGLE-DECK CROSSOVER® SERIES LUMINAIRE, cont'd.



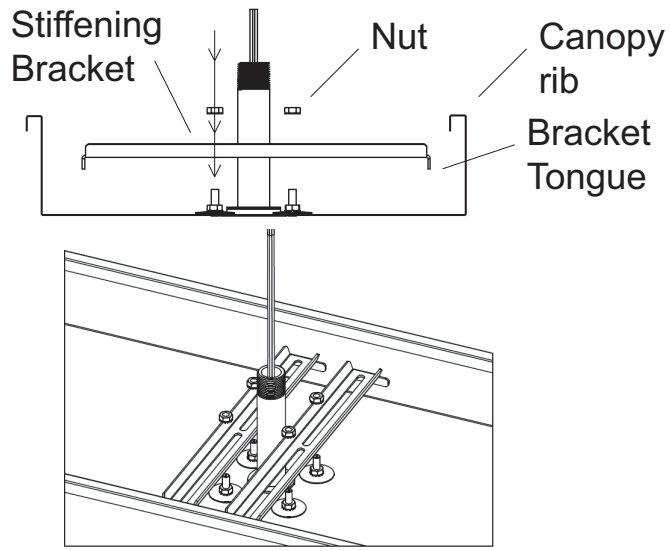
2 ON TOP OF CANOPY:
 Center Luminaire studs into canopy holes and secure Luminaire to canopy using supplied washers and nuts.
- Warning! Do not over-tighten nuts. Torque specification is 30-40 in. lbs. (Drill driver NOT recommended--risk of stainless galling and incorrect nut torque!)



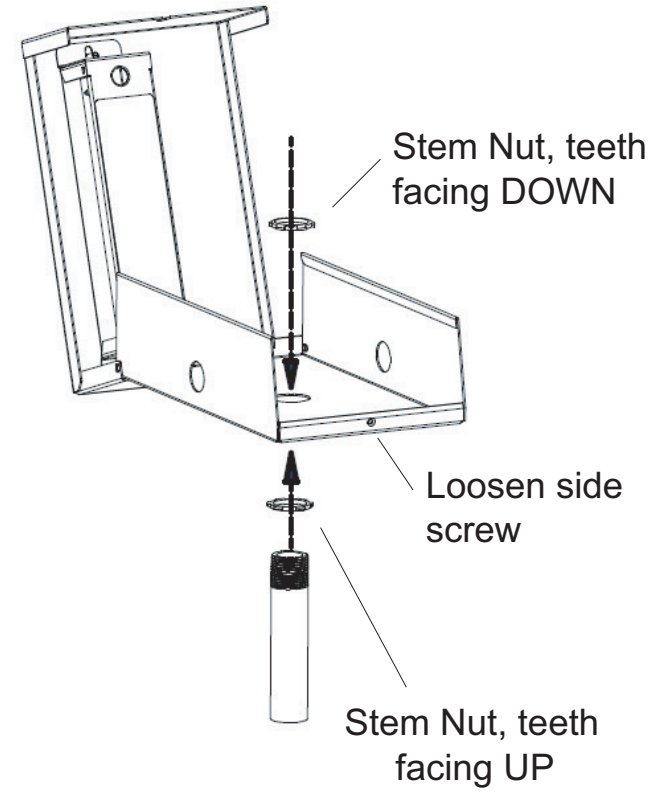
3 Feed Quick Connect Wiring thru One Piece Stem, flanged end first. Thread Stem onto Luminaire nipple. Hand-tighten ONLY!



CRS SINGLE-DECK CROSSOVER® SERIES LUMINAIRE, cont'd.



4 On top of canopy, position both Leveling Brackets over luminaire studs so Bracket ends face Canopy Ribs. Position both Brackets so tongues point downward. Use supplied nuts to secure Brackets; tighten nuts until they bottom out.



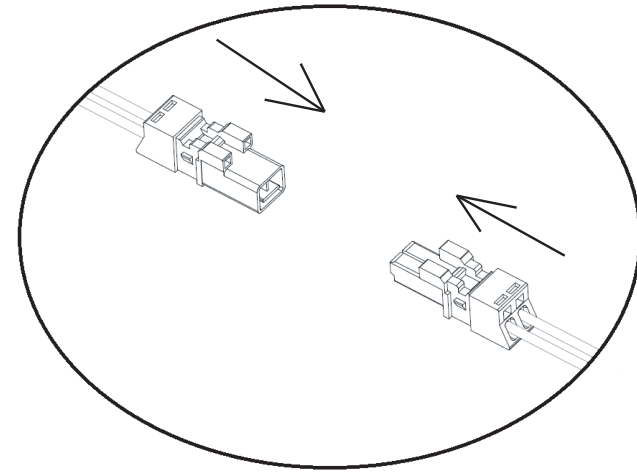
5 Above canopy, open driver box top from box bottom by loosening side screw and rotating top upward. Secure box bottom to conduit stem. With (1) Stem Nut in hand - locking teeth facing UP - feed Quick Connect Wiring thru Nut, then thread nut onto One Piece Stem external threads; fully thread Nut all the way down One Piece Stem until it stops. Feed Quick Connect Wiring thru box bottom, then lower onto Stem. With other Stem Nut in hand - locking teeth facing DOWN - feed Quick Connect Wiring thru nut, then thread onto Stem and tighten.

IMPORTANT: The following instructions are for qualified electricians only!

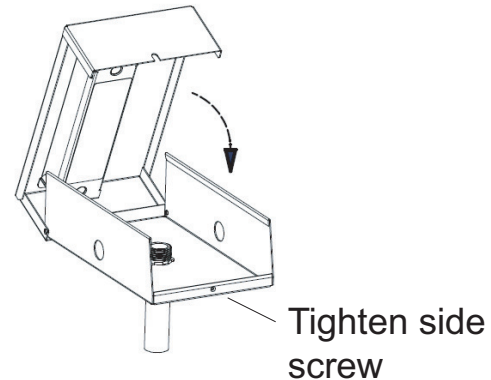
6 Run supply wiring to box bottom.
NOTE: K.O.'s are 1/2" conduit size.
Secure to box bottom.

CRS SINGLE-DECK CROSSOVER® SERIES LUMINAIRE, cont'd.

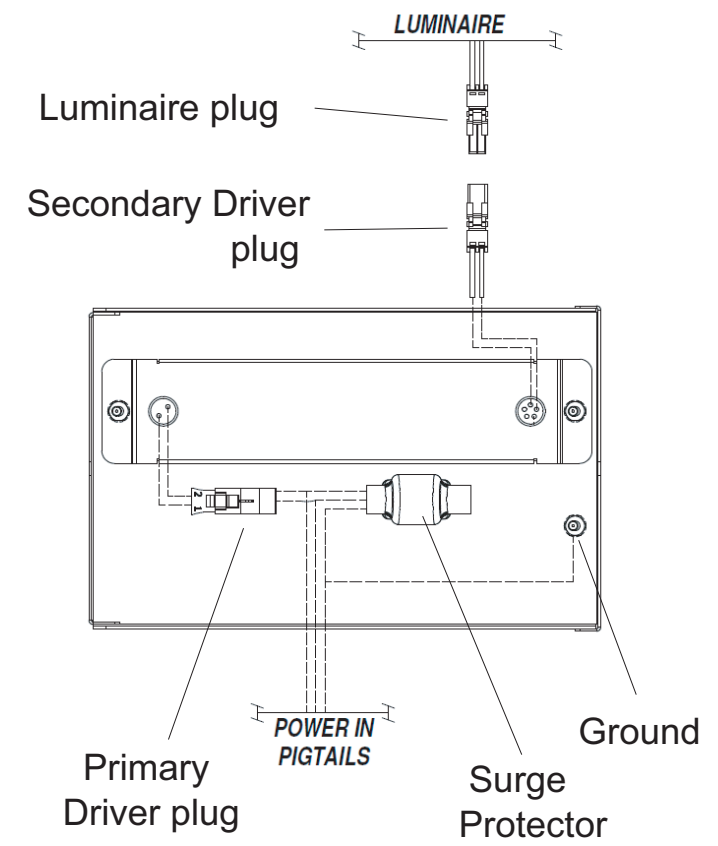
7 Make necessary supply wiring connections to supplied Primary Driver pigtail wires using appropriate wire connectors. Connect Quick Connect plugs protruding from stem to secondary side plug of driver. Connect the 2-pole plugs together.



8 Use included wire tie to secure incoming wires.



10 **CLEANING DIRECTIONS:** Use mild soap solution and soft cloth to clean. Wrap finger in cloth to swipe any crevices.



9 Flip box top over box bottom. Ensure all wiring is inside box and that no wires are pinched. Make sure wire tie keeps wires together to prevent pinching! Secure to box bottom with side screw.



Installation Questions?
Call LSI Field Service Department at:
1-800-436-7800 Ext. 3300
Fax: 1-877-861-1368