

# INSTALLATION AND ASSEMBLY INSTRUCTIONS

## XAS/XAM & XRS/XRM SHIELD

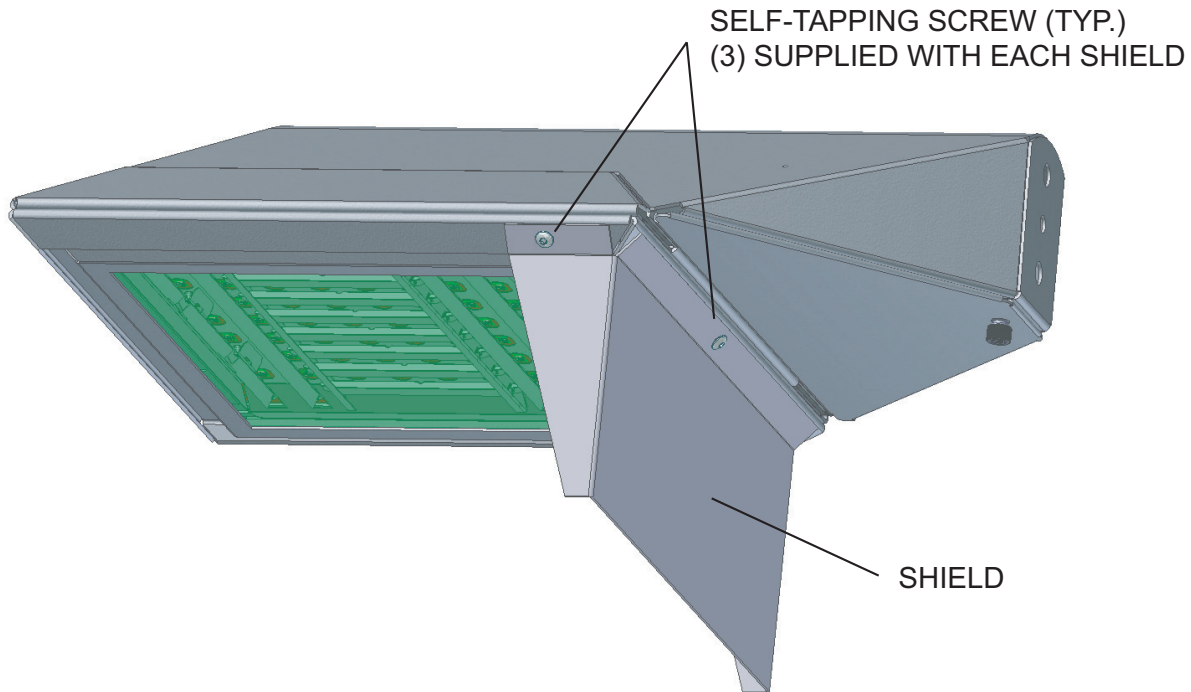
**WARNING:** Risk of fire or electrical shock. Disconnect power before installing or servicing.

1. Shield consists of sheet metal shield and (3) screws.
2. Position shield on luminaire frame as shown. Align slots in shield with holes in luminaire.

**IMPORTANT - Holes are predrilled in luminaire. Do NOT drill holes in luminaire!**

3. Using a T20 size Torx driver, secure shield to luminaire using (3) supplied self-tapping screws.

**WARNING - Use ONLY the screws supplied! Using different screws will compromise the design and may void warranty!**



### Installation Questions?

Call LSI Field Service Department at:  
1-800-436-7800 Ext. 3300  
Fax: 1-877-861-1368



A Company with a *Smart Vision*

LSI Industries Inc. 10000 Alliance Road Cincinnati, Ohio 45242 (513) 793-3200 Fax (513) 793-0147 [www.lsi-industries.com](http://www.lsi-industries.com)

390684 Rev. 2/09

P 1 of 1

©2009 LSI Industries Inc.