

LED ROADWAY LIGHTS - SMALL (XRS3)



US patents D598160, D598161 & 7828456 and CN patents 13006 & 13007 and MX patents 30416 & 30418 and US & Int'l. patents pending

SMARTTEC™ THERMAL CONTROL - Sensors in both optical unit and driver enclosure reduce drive current when ambient temperatures exceed 50°C. Current is lowered in imperceptible 5% increments every 5 minutes until safe operating temperature is reached.

EXPECTED LIFE - Minimum 60,000 hours to 100,000 hours depending upon the ambient temperature of the installation location. See LSI web site for specific guidance.

LEDs - Select high-brightness LEDs. 5800°K color temperature (nominal) 70 CRI (nominal).

DISTRIBUTION/PERFORMANCE - Types 2, 3, FT and 5. Exceptional uniformity creates bright environment at lower light levels. Improved backlight cutoff minimizes light trespass.

HOUSING - Die-formed aluminum. Weather-tight housing contains factory prewired driver and field connections. Wiring access door (with safety lanyard) is located underneath and utilizes tool-less thumbscrew fastener.

OPTICAL UNIT - Clear tempered optical grade flat glass lens sealed to aluminum optics housing creates an IP67 rated, sealed optical unit. Pressure stabilizing breather allows super-tight IP67 protection while preventing temperature cycling from building up internal pressures and vacuums that can stress optical unit seals and components. Optical unit lanyard serves dual purposes of safety and provides positive ground between unit and housing.

MOUNTING - Tapered rear design allows fixtures to be mounted to a range of mast arms from 1-1/4" (1.66" O.D.) to 2" (2.375" O.D.), using internal clamping bracket. Integral leveling device which allows +/- 5° vertical adjustment of the fixture and leveling bubble are provided to accommodate variances in mast arm construction. Molded silicone barrier surrounds mast arm to restrict intrusion of insects and birds. If existing mast arm is larger than 2" (2.375" O.D.), tenon reducers are available. Consult Factory. LSI mast arm can be ordered separately.

ELECTRICAL - A terminal block for attachment of incoming primary wiring is supplied. Two-stage surge protection (including separate surge protection built into electronic driver) meets IEEE C62.41.2-2002, Scenario 1, Location Category C. Available with universal voltage power supply 120-277VAC (50/60Hz input), 347VAC and 480VAC. Optional twistlock photocell receptacle is available. Photocell must be ordered separately. Optional button-type photocells (PCI) are available in 120, 208, 240, 277 or 347 volt (supply voltage must be specified).

DRIVER - Available in multiple drive currents: 350mA, 450mA and 550mA (Drive currents are factory programmed). State-of-the-art driver technology designed specifically for LSI LED light sources provides unsurpassed system efficiency. Components are fully encased in potting material for IP65 moisture resistance. Driver complies with IEC and FCC standards. Driver can be easily accessed and removed without the use of tools.

OPERATING TEMPERATURE - -40°C to +50°C (-40°F to +122°F).

FINISH - LSI's DuraGrip® polyester powder coat finishing process withstands extreme weather changes without cracking or peeling. Guaranteed for five full years.

WARRANTY - Limited 5-year warranty.

PHOTOMETRICS - Contact LSI Applications Group at lighting.apps@lsi-industries.com for layout assistance.

SHIPPING WEIGHT (in carton) - 27.8 lbs/13 kg (fixture only). Add mast arm weight for total shipping weight.

LISTING - Listed to U.S. and International safety standards. Suitable for wet locations.

Crossover LED Lighting

lighting facts®

A Program of the U.S. DOE

Light Output (Lumens)	5201
Watts	75
Lumens per Watt (Efficacy)	69
Color Accuracy Color Rendering Index (CRI)	68
Light Color Correlated Color Temperature (CCT)	6320 (Daylight)

All results are according to IESNA LM-79-2008: Approved Method for the Electrical and Photometric Testing of Solid-State Lighting. The U.S. Department of Energy (DOE) verifies product test data and results.

Visit www.lightingfacts.com for the Label Reference Guide.

Registration Number: KGGN-8WVVBK
Model Number: XRS3 FT LED 63 350 CW UE
Type: Outdoor area/roadway fixture

LIGHT OUTPUT - XRS3						
	# of LEDs	Lumens (Nominal)				Watts
		Type 2	Type 3	Type FT	Type 5	
350 mA	63	4977	4922	5201	4423	75
450 mA	63	6347	5582	6276	5110	98
550 mA	63	6958	6181	7058	5622	122

This product, or selected versions of this product, meet the standards listed below. Please consult factory for your specific requirements.



IP67



ROHS COMPLIANT



ARRA
Funding Compliant

Intertek
Suitable for wet locations

Fixtures comply with ANSI C136.31-2001 American National Standard for Roadway Lighting Equipment - Luminaire Vibration 3G requirements.

LED ROADWAY LIGHTS - SMALL (XRS3)

LUMINAIRE ORDERING INFORMATION

TYPICAL ORDER EXAMPLE: **XRS3 5 LED 63 350 CW UE MSV PCI277**

Prefix	Distribution	Light Source	# of LEDs	Drive Current	Color Temperature	Input Voltage	Finish	Options
XRS3 - LED Roadway Small	2 - Type II 3 - Type III FT - Forward Throw 5 - Type V	LED	63	350 - 350mA 450 - 450mA 550 - 550mA	CW - Cool White (5800°K nom.)	UE - Universal Voltage (120-277) 347-480	BLK - Black BRZ - Bronze GPT - Graphite MSV - Metallic Silver PLP - Platinum Plus SVG - Satin Verde Green WHT - White	Button Type Photocells PCI 120 - 120v PCI 208 - 208v PCI 240 - 240v PCI 277 - 277v PCI 347 - 347v PCR - Twistlock Photoelectric Control Receptacle ¹

LUMINAIRE EPA CHART - XRS3	
Single	0.9
D180	1.8

ACCESSORY ORDERING INFORMATION		(Accessories are field installed)	
Description	Order Number	Description	Order Number
XRS3 2/3/FT/5 HSS8 House Side Shield ^{2,3}	454586BLK	PC 208-277 - Photocell for use w/ PCR option (208V, 240V or 277V) ⁴	122515
DVS - Direct View Shield (rear mount only) ²	390687CLR	PC 347 - Photocell for use w/ PCR option (347V) ⁴	159516
PC 120 - Photocell for use w/ PCR option (120V) ⁴	122514	PC 480 - Photocell for use w/ PCR option (480V) ⁴	1225180

FOOTNOTES:

- 1- Photocell must be ordered separately. See Accessories.
- 2- Black only. Rear mount.
- 3- House side shield and direct view shield add to fixture EPA. Consult factory.
- 4- Factory installed PCR option required. See Options.

LSI MAST ARM: Available in 4', 6' and 8' nominal arm lengths with single (S) and double arms at 180° (D180) mounting configurations. All arms have a 32" rise. Hub mounts to 2" (2.375" O.D.) pipe size x 4-3/4" tall tenon. For use with LSI's Steel Straight Round, Steel Straight Square or Steel Round Tapered Tenon Mount (N) poles (See separate data sheets).

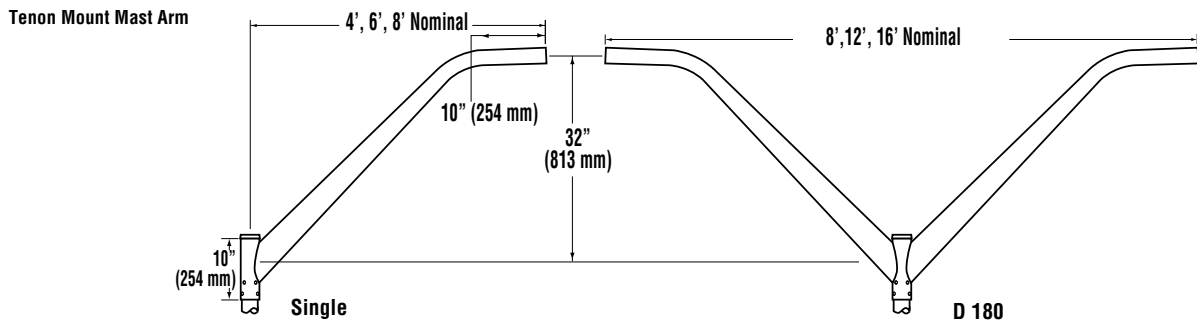
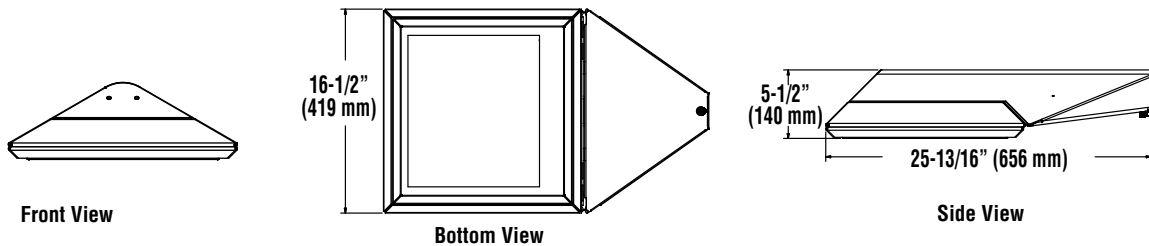
TENON MOUNT MAST ARM ORDERING INFORMATION

TYPICAL ORDER EXAMPLE: **BKA PTB MAST ARM 4 S BLK**

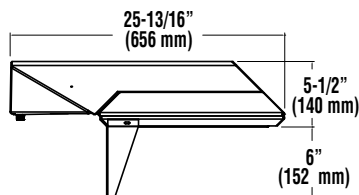
Bracket Designation	Bracket Type	Bracket Length	Bracket Configuration	Bracket Finish
BKA	PTB MAST ARM	4 - 4 Foot 6 - 6 Foot 8 - 8 Foot	S - Single D180 - Double	BLK - Black BRZ - Bronze GPT - Graphite MSV - Metallic Silver PLP - Platinum Plus SVG - Satin Verde Green WHT - White RAW - Raw Aluminum with Satin Finish

Catalog Number	EPAs and Shipping Weights	
	EPA Value	Shipping Wt (kg/lbs)
BKA PTB MAST ARM 4 S	1.9	4.1/9
BKA PTB MAST ARM 4 D180	3.6	6.8/15
BKA PTB MAST ARM 6 S	2.3	5.4/12
BKA PTB MAST ARM 6 D180	4.5	9.5/21
BKA PTB MAST ARM 8 S	3.2	7.3/16
BKA PTB MAST ARM 8 D180	6.2	13.2/29

DIMENSIONS



DVS - Direct View Shield (390687CLR)



HSS8 - House Side Shield Types 2, 3, FT, 5 (454586BLK)

