

# LSI GREENLEE LED INGROUND LIGHT (XIG)



**U.S. and international patents pending**

**EXPECTED LIFE** - Minimum 60,000 hours to 100,000 hours depending upon the ambient temperature of the installation location. See LSI web site for specific guidance.

**LEDS** - High performance, high brightness LEDs. Color temperature 5400°K (nominal) for cool white or 3200°K (nominal) for warm white.

**DRIVER CURRENT** - Available in 350mA

**OPTICS / AIMING** - Available with 10°, spot, 25° or 40° flood horizontal beam angle distributions. Optics can be tilted +/- 15° from vertical via external aiming screw, with tamper-resistant spanner tool. Adjustment tool provided.

**HOUSING** - Composite rough-in housing never corrodes; field-proven to last for more than 20 years without maintenance. Luminaire housing is 85% copper alloy for wet locations or aluminum for damp/ dry locations. CNC precision machined to insure proper sealing.

**OPTICAL UNIT** - 15mm low-iron tempered glass lens does not change color of light emitted. 19mm thick lens supplied with stainless steel trim option to retain flush surface. Sealed optical chamber is aimable from outside the unit to ensure integrity of the seal. No heat in the LED light beam means a cool lens - no risk of burns to bare feet.

**INSTALLATION** - Rough-in housing can be shipped ahead for pre-casting in concrete. Luminaire connects to field wiring via IP-68 rated connector.

**ELECTRICAL** - Universal frequency input (120 & 240V, 50/60 Hz)

**DRIVER** - State-of-the-art driver technology specifically designed for LSI LED fixtures provides unsurpassed system efficiency.

**OPERATING TEMPERATURE** - -40°C to +50°C ( -40°F to +122°F)

**FINISH** - Clear-anodized natural aluminum finish or LSI's DuraGrip® polyester powder coat finishes available. DuraGrip finish withstands extreme weather changes without cracking or peeling, and is guaranteed for a full five years. Standard colors include black, white, bronze, metallic silver, graphite and satin verde green. Natural brass matte blast finished.

**TRIM** - Optional .18" thick stainless steel decorative trim has radial polish finish.

**WARRANTY** - LSI LED fixtures carry a limited 5 year warranty.

**PHOTOMETRICS** - Application layouts and photometric files are available upon request. Contact LSI Applications Group at [lighting.apps@lsi-industries.com](mailto:lighting.apps@lsi-industries.com).

**SHIPPING WEIGHT** - XIGB - 28 lbs., XIGA - 14 lbs.

**LISTING** - Listed to U.S. and Canadian safety standards. Suitable for wet locations.

LIGHT OUTPUT - XIG Cool White				
350 mA	# of LEDS	Type SP10	NFL25	FL40
	19	2159	2076	2066
	Watts	22	23	22

**This product, or selected versions of this product, meet the standards listed below. Please consult factory for your specific requirements.**



Intertek  
Suitable for wet locations

Not recommended for continuously immersed applications

**LUMINAIRE ORDERING INFORMATION**

TYPICAL ORDER EXAMPLE: **XIG A LED 19 350 CW UE SP10 WHT SST**

Prefix	Housing	Light Source	# of LEDs	Drive Current	Color Temperature	Input Voltage	Distribution	Finish	Options
XIG	B - Brass A - Aluminum (Indoor or Damp Location Only)	LED	19	350 - 350 mA	CW - Cool White WW - Warm White	UE- Universal Electronic (120-240V 50/60 Hz)	SP10 - 10° Spot NFL25 - 25° Narrow Flood FL40 - 40° Flood	NB - Natural Brass <sup>1</sup> NA - Natural Aluminum <sup>2</sup> BRZ - Bronze BLK - Black WHT - White MSV - Metallic Silver GPT - Graphite SVG - Satin Verde Green	SST - Stainless Steel Trim <sup>3,4</sup> TR - Tamper Resistant Fasteners DSA - Directional Shield Aluminum DSB - Directional Shield Brass RGA - Rock Guard Aluminum RGB - Rock Guard Brass
	RIH								

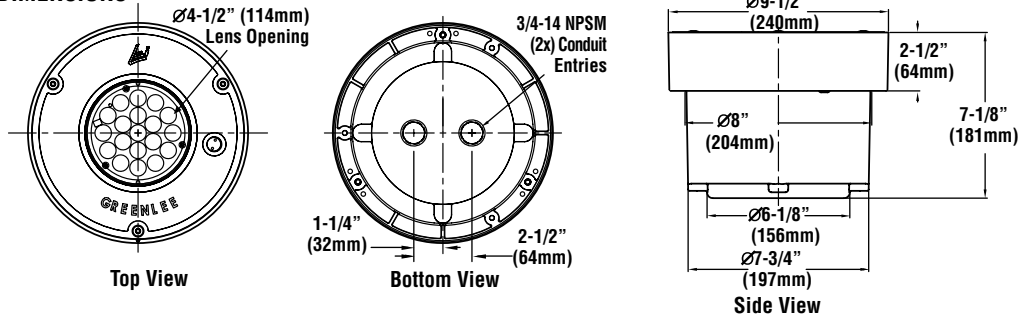
**NOTES:**

- 1- Brass Housing Only
- 2- Aluminum Housing Only
- 3- SST not available with DS or RG options
- 4- Aluminum housing painted BLK with SST. Brass housing NOT painted with SST.

**ACCESSORY ORDERING INFORMATION** (Accessories are field installed)

TRKEY - Key for TR Fasteners G34062

**DIMENSIONS**



**OPTIONS**



Rock Guard  
(RGA/B)  
Lens/Lamp Protection



Directional Shield  
(DSA/B)  
Increased Light Control



Stainless Steel Trim  
(SST)  
Decorative Appeal