



# LED HIGH BAY (XHB3)

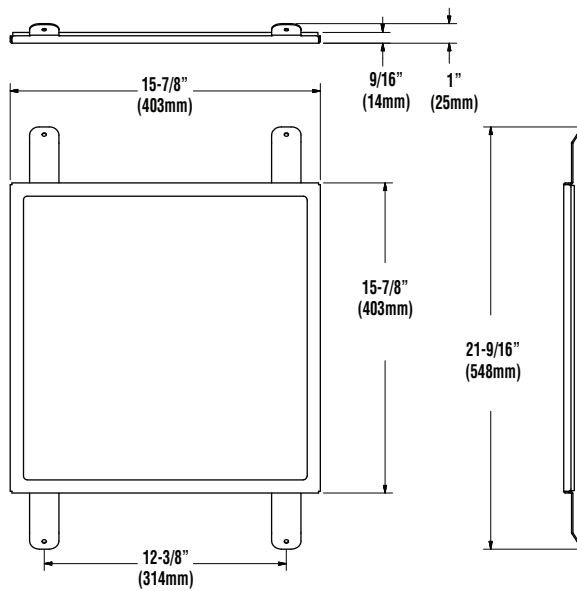
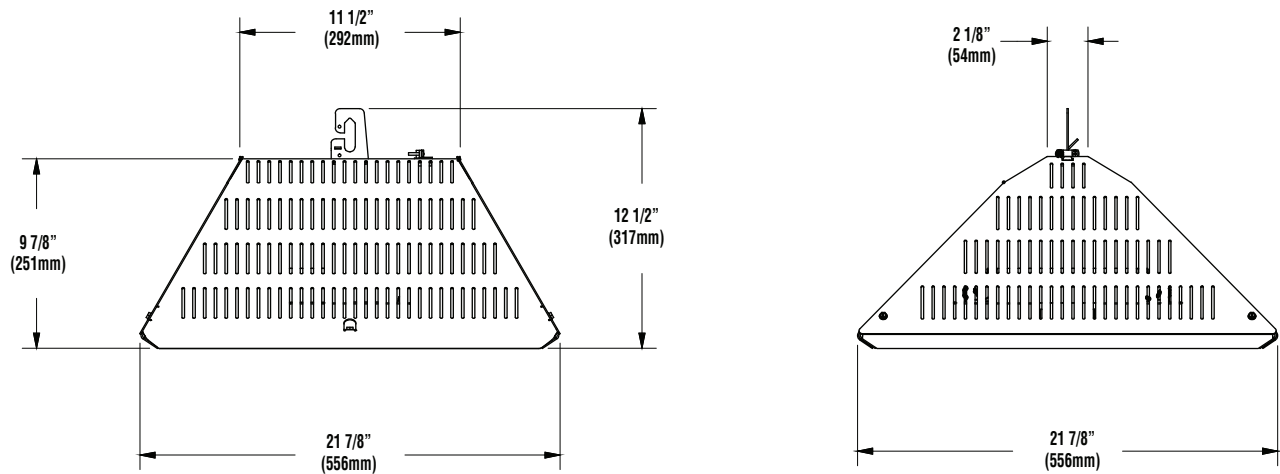
## LUMINAIRE ORDERING INFORMATION

TYPICAL ORDER EXAMPLE: **XHB3 S LED 128 450 CW UE HM6 WHT**

Prefix	Distribution	Light Source	# of LEDs	Drive Current	Color Temperature	Input Voltage	Mounting	Finish	Options
XHB3	S-Symmetric	LED	128	350 - 350mA 450 - 450mA	CW - Cool White	UE - Universal Voltage (120-277 AC) 347-480	HM6 - Hook and 6' Cord (standard) PM - Pendant Mount (3/4")	WHT - White	IMS0 - Integral Motion Sensor (0% power) IMS30 - Integral Motion Sensor (30% power) DIM - 0-10V Dimming <sup>1</sup>
									<b>ACCESSORIES</b>
									XHB3 PCS - Polycarb Shield

1- 0-10V dimming available in 350mA only.

## DIMENSIONS



**POLYCARB SHIELD**



Project Name \_\_\_\_\_ Fixture Type \_\_\_\_\_  
 Catalog # \_\_\_\_\_

05/24/12

© 2012  
 LSI INDUSTRIES INC.