

LED HIGH BAY LIGHT (XHB)

US patent D574994 & 7828456 and US & Int'l. patents pending



SMARTTEC™ ENERGY SAVING FEATURES:

Excellent alternative to traditional metal halide or high pressure sodium high bay fixtures

THERMAL CONTROL - Sensors in the driver enclosure reduce drive current when ambient temperatures exceed 40°C.

LEDS - Choose from two array choices, 104 and 128, which feature select high brightness LEDs; 5300K color temperature, 70 CRI (nominal).

DRIVE CURRENT - Available in 350 mA.

OPTICS / DISTRIBUTION - Available with symmetric distribution

OPTICAL UNIT - Featuring an ultra-slim 1" profile, housing is die-formed aluminum with a clear tempered glass lens. Unit is water-resistant, sealed to an **IP67** rating. Patented integral single blade heat sink does not trap dirt and grime, ensuring cool running performance over the life of the fixture.

THE INDUSTRY'S ONLY BREATHABLE SEAL - Teflon[®] breather allows super-tight **IP67** protection while preventing temperature cycling from building up internal pressures and vacuums that can stress optical unit seals and components.

DRIVER - State-of-the-art driver technology provides unsurpassed system efficiency, control and protection. Components are fully encased in potting for **IP67** moisture resistance. Complies with IEC and FCC standards.

FINISH - Standard color is white. Finished with LSI's DuraGrip[®] polyester powder coat process.

OPERATING TEMPERATURE - -40°C to +50°C ; when used in continuously elevated ambient temperatures, maximum operating temperature is derated to 40°C.

ELECTRICAL - Universal voltage power supply, 120-277 VAC, 50/60 Hz input. Also available in 347V and 480V. Two-stage surge protection (including separate surge protection built into electronic driver) meets IEEE C62.41.2-2002, Scenario 1, Location Category C

INSTALLATION - Trunion mount with hook and 6' cord. Fixture weight 19lbs.

EXPECTED LIFE - Up to 100,000 hours. See LSI web site for specific guidance.

WARRANTY - Limited 5-year warranty.

LISTING - ETL listed to UL1598, UL8750 and other U.S. and International safety standards. Suitable for damp locations.

PHOTOMETRICS - Application layouts are available upon request. Contact lighting.apps@lsi-industries.com.

Crossover LED Lighting

lighting facts[®]

A Program of the U.S. DOE

Light Output (Lumens)	11900
Watts	146
Lumens per Watt (Efficacy)	81
Color Accuracy Color Rendering Index (CRI)	74
Light Color Correlated Color Temperature (CCT)	5255 (Daylight)

2700K 3000K 4500K 6500K

Warm White Bright White Daylight

All results are according to IESNA LM-79-2008: Approved Method for the Electrical and Photometric Testing of Solid-State Lighting. The U.S. Department of Energy (DOE) verifies product test data and results.

Visit www.lightingfacts.com for the Label Reference Guide.

Registration Number: KGGN-KYLVGX
Model Number: XHB S LED 128 350 CW UE
Type: Other

LIGHT OUTPUT - XHB			
	# of LEDS	Distribution / Lumens S	Watts
350 mA	104	11,250	124
	128	13,600	151



IP67 RoHS

Suitable for damp locations

LED HIGH BAY LIGHT (XHB)

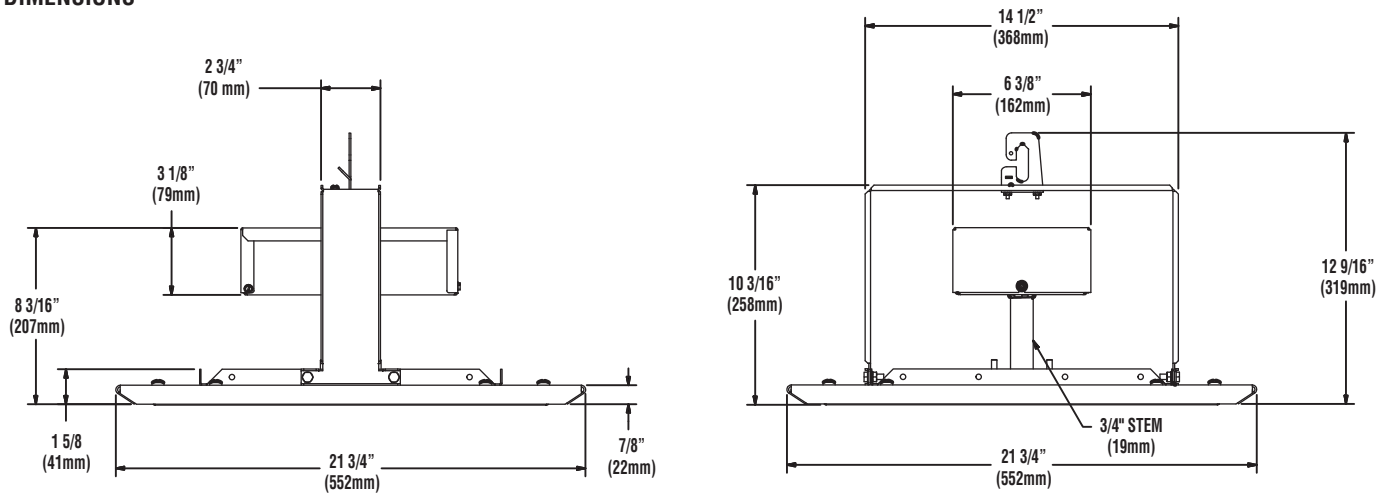


LUMINAIRE ORDERING INFORMATION

TYPICAL ORDER EXAMPLE: **XHB S LED 128 350 CW UE WHT**

Prefix	Distribution	Light Source	# of LEDs	Drive Current	Color Temperature	Input Voltage	Finish
XHB	S-Symmetric	LED	104 128	350 - 350mA	CW - Cool White	UE - Universal Voltage (120-277 AC) 347 480	WHT - White

DIMENSIONS



08/03/11

© 2011
LSI INDUSTRIES INC.

Project Name _____ Fixture Type _____

Catalog # _____

