

# LED AUREUS™ INTERIOR LOW BAY/HIGH BAY (AUL)



US patents 8,152,333 and US & Int'l. patents pending

**ENERGY SAVING CONTROL** - 0-10 volt dimming enabled with controls by others. Dimming not compatible with HCP or LCP options.

**EXPECTED LIFE** - Minimum 60,000 to 100,000 hours depending upon the ambient temperature of installation location.

**LEDs** - Select high-brightness LEDs in Cool White (5000K), Neutral White (4000K) or Warm White (3500K) color temperatures. CRI >= 80.

**DISTRIBUTION PATTERN** - Symmetrical distribution provides uniform distribution of light to vertical and horizontal surfaces.

**HOUSING** - Round extruded aluminum housing available with clear anodized, gloss black, or gloss white finish.

**REFRACTOR/LENS** - 22" diameter injection molded shallow acrylic prismatic refractors are available (clear or frosted), and with a choice of no bottom lens (open), clear acrylic flat lens, or clear conical prismatic acrylic lens. Refractor is secured to housing by self locking clips. Bottom lens is attached with a spring loaded clamp band.

**MOUNTING** - Field selectable mounting options include; direct mounting to a 4" square or octagonal junction box (by others), or 3/4" rigid conduit (by others).

**ELECTRICAL** - Two-stage surge protection (including separate surge protection built into electronic driver) meets Location Category B. Available with universal voltage power supply 120-277VAC (UE - 50/60Hz input) and 347-480VAC.

**DRIVER** - Available in Super Saver (SS) and High Output (HO) drive currents. Components are fully encased in potting material for moisture resistance. Driver complies with FCC 47 CFR part 155 RFI/EMI standard. 0-10 volt dimming standard.

**OPERATING TEMPERATURE** - (SS) = -40°C to +50°C (-40°F to +122°F)  
(HO) = -40°C to +40°C (-40°F to +101°F)

**FINISH** - Clear Anodized Aluminum finish standard. Also available in gloss black or gloss white.

**WARRANTY** - LSI LED fixtures carry a limited 5-year warranty

**PHOTOMETRICS** - Please visit our web site at [www.lsi-industries.com](http://www.lsi-industries.com) for detailed photometric data.

**SHIPPING WEIGHT (IN CARTON)** - 30 LBS. (13.6 kg)

**LISTING** - Listed to UL 1598 and UL 8750. Suitable For Damp Locations.

LIGHT OUTPUT - LED AUREUS (Clear Refractor)						
		Lumens (Nominal)			Watts (Nominal)	LPW (Open)
		Conical Lens	Flat Lens	Open		
Cool White	SS	16794	16868	17525	132	133
	HO	22435	22679	23527	193	122
Neutral White	SS	16925	16942	17403	132	133
	HO	22638	22590	23509	193	122
Warm White	SS	15489	15577	16183	132	123
	HO	20590	20726	21627	193	113

LIGHT OUTPUT - LED AUREUS (Frosted Refractor)						
		Lumens (Nominal)			Watts (Nominal)	LPW (Open)
		Conical Lens	Flat Lens	Open		
Cool White	SS	16976	17100	17697	132	134
	HO	22586	22715	23570	193	122
Neutral White	SS	17049	17197	17844	132	136
	HO	22910	22887	23923	193	124
Warm White	SS	15652	15789	16367	132	124
	HO	20844	21075	21837	193	114

LED Chips are frequently updated therefore values may increase.

This product, or selected versions of this product, meet the standards listed below. Please consult factory for your specific requirements.



Project Name \_\_\_\_\_ Fixture Type \_\_\_\_\_

Catalog # \_\_\_\_\_

© 2015  
LSI INDUSTRIES INC.

# LED AUREUS™ INTERIOR LOW BAY/

## PRODUCT ORDERING INFORMATION

TYPICAL ORDER EXAMPLE: **AUL S LED HO NW UE ACS22 CAA**

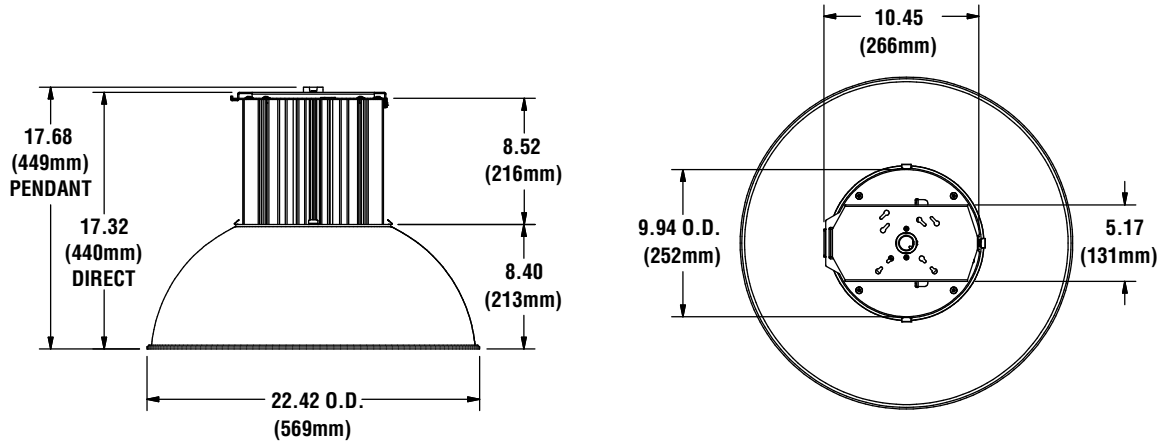
Prefix	Distribution	Light Source	Drive Current	Color Temperature	Line Voltage	Refractor	Finish
AUL	S - Symmetric	LED	HO - High Output SS - Super Saver	CW8 - Cool White 80 CRI NW - Neutral White WW - Warm White	UE - Universal Voltage (120-277V)  347-480 Universal Voltage (347-480V)	ACS22 - 22" Shallow Clear Acrylic - Open  ACS22FA - 22" Shallow Clear Acrylic - W/ Clear Acrylic Flat lens  ACS22CPA - 22" Shallow Clear Acrylic - W/ Clear Conical Prismatic Acrylic lens  ACSF22 - 22" Shallow Frosted Acrylic - Open  ACSF22FA - 22" Shallow Frosted Acrylic - W/ Clear Acrylic Flat lens  ACSF22CPA - 22" Shallow Frosted Acrylic - W/ Clear Conical Prismatic Acrylic lens	CAA - Clear Anodized Aluminum GBK - Gloss Black GWT - Gloss White

1 - Dimming function not compatible with HCP or LCP option.

### Options

HCP120 - Hook, 3' Cord & 120V Twistlock Plug <sup>1</sup>	LCP120 - Loop, 3' Cord & 120V Twistlock Plug <sup>1</sup>
HCP208 - Hook, 3' Cord & 208V Twistlock Plug <sup>1</sup>	LCP208 - Loop, 3' Cord & 208V Twistlock Plug <sup>1</sup>
HCP240 - Hook, 3' Cord & 240V Twistlock Plug <sup>1</sup>	LCP240 - Loop, 3' Cord & 240V Twistlock Plug <sup>1</sup>
HCP277 - Hook, 3' Cord & 277V Twistlock Plug <sup>1</sup>	LCP277 - Loop, 3' Cord & 277V Twistlock Plug <sup>1</sup>
HCP480 - Hook, 3' Cord & 480V Twistlock Plug <sup>1</sup>	LCP480 - Loop, 3' Cord & 480V Twistlock Plug <sup>1</sup>

## DIMENSIONS



Project Name \_\_\_\_\_ Fixture Type \_\_\_\_\_

Catalog # \_\_\_\_\_