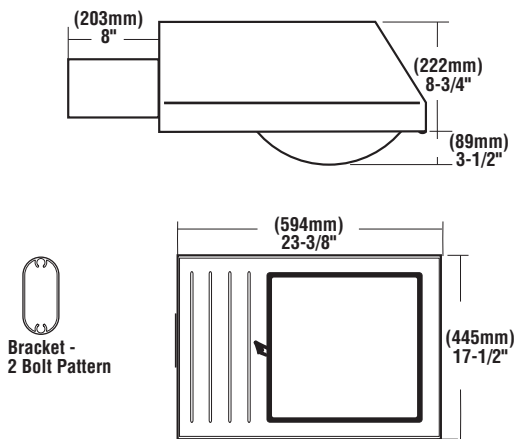


# CHALLENGER® II MEDIUM (Various reflectors are protected by U.S. Patent No. 6,464,378.)



## DIMENSIONS



**HOUSING** - Radiused, rectangular-shaped, aluminum housing with stainless steel or electro-zinc plated steel mounting hardware.

**DOOR FRAME** - Aluminum with two stainless steel captive fasteners for easy access into the fixture. A one-piece extruded EPDM gasket seals the door frame against the housing.

**LENS/GASKET** - Available with a contoured clear impact-resistant glass lens for vertical lamp optics. A tempered flat clear glass lens or contoured clear impact-resistant glass lens is offered for horizontal lamp optics. The lens is sealed to the door frame with EPDM gasketing.

**SOCKETS** - Porcelain mogul-base sockets. All sockets are factory prewired. An optional disconnect plug for the ballast is available. All sockets are pulse-rated.

**LIGHT SOURCES** - Pulse-Start Metal Halide, Pulse-Start Metal Halide Reduced Envelope, Ceramic Metal Halide or High Pressure Sodium. Clear lamp is supplied as standard.

**BALLASTS** - High-power factor ballast. Pulse-Start Metal Halide, Metal Halide, and High Pressure Sodium fixtures feature a CWA type ballast. All ballasts are designed for -20° F operation.

## REFLECTORS/DISTRIBUTION PATTERNS

- Vertical oriented systems include: Type V (5), and Perimeter Forward Throw (FP). Horizontal oriented systems include: Type V (5), Forward Throw (FT), Type III (3), and Type II (2). Photometric data is tested in accordance with IESNA guidelines.

**BRACKETS** - Use with 5" traditional drilling pattern. An extruded radius 8" arm is shipped standard and compatible with all fixture mounting configurations. The fixture may also be mounted to round poles using the round pole plate adaptor accessory (RPP2), which must be ordered separately.

**FINISHES** - Each fixture is finished with LSI's DuraGrip® polyester powder coat finishing process. The DuraGrip finish withstands extreme weather changes without cracking or peeling, and is guaranteed for five full years. Standard colors include bronze, black, platinum plus, white, satin verde green, metallic silver, and graphite.

**PHOTOMETRICS** - Please visit our web site at [www.lsi-industries.com](http://www.lsi-industries.com) for detailed photometric data.



**ARRA**  
Funding Compliant



	F	CT
Single	1.4	1.6
D180°	2.9	3.2
D90°	2.5	3.0
T90°	4.0	4.5
TN120°	4.1	4.7
Q90°	5.1	6.0

Note: F - Flat Glass    CT - Contoured  
 Note: House Side Shield adds to fixture EPA.  
 Consult factory.

Catalog Number	Est. Weight (kg/lbs.)	Length (mm/in.)	Width (mm/in.)	Height (mm/in.)
CH2HM	19 / 42	699 / 27.5	559 / 22	432 / 17
CH2VM	19 / 42	699 / 27.5	559 / 22	432 / 17

# CHALLENGER® II MEDIUM

## LUMINAIRE ORDERING INFORMATION



TYPICAL ORDER EXAMPLE: **CH2VM 5 400 PSMVR CT MT PLP PCR**

Luminaire Prefix	Distribution	Lamp Wattage	Light Source	Lens	Line Voltage	Luminaire Finish	Options
Vertical Burn CH2VM	FP – Forward Throw Perimeter 5 – Type V	100	PSMV – Pulse-Start Metal Halide 175, 250, 320 Watt	CT – Contoured Clear Impact-resistant Glass	480 MT – Multi Tap TT – Tri-Tap	BRZ – Bronze BLK – Black PLP – Platinum Plus WHT – White SVG – Satin Verde Green GPT – Graphite MSV – Metallic Silver	PCR - Photoelectric Control Receptacle <sup>2</sup> TB - Terminal Block LL - Less Lamp
		150	PSMVR – Pulse-Start Metal Halide Reduced Envelope 400 Watt				
Horizontal Burn CH2HM	2 – Type II 3 – Type III FT – Forward Throw 5 – Type V	175	CMH – Ceramic Metal Halide 150 Watt	F – Flat Clear Tempered Glass  CT – Contoured Clear Impact-resistant Glass <sup>1</sup>	480 MT – Multi Tap TT – Tri-Tap	BRZ – Bronze BLK – Black PLP – Platinum Plus WHT – White SVG – Satin Verde Green GPT – Graphite MSV – Metallic Silver	PCR - Photoelectric Control Receptacle <sup>2</sup> TB - Terminal Block LL - Less Lamp
		320	PSMH – Pulse-Start Metal Halide 175, 250, 320 Watt				
		400	HPS – High Pressure Sodium 100, 150 Watt				

**MT – Multi Tap** consists of 120V, 208V, 240V and 277V and is prepared for highest voltage. Alternate voltages will require field adjustment.  
**TT – Tri-Tap** consists of 120V, 277V and 347V and is shipped standard for Canadian applications and is prepared for highest voltage. Alternate voltages will require field adjustment.

**Consult Factory  
for International  
Voltages and Light  
Sources**

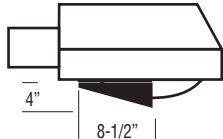
### FOOTNOTES:

- Use to match vertical appearance.
- PCR factory installed and prewired to highest voltage. Alternate voltages will require field re-wiring. Photocell must be ordered separately. See Accessories.

ACCESSORY ORDERING INFORMATION		(Accessories are field installed)	
Description	Order Number	Description	Order Number
PC120 – Photocell	122514+	DFK480 - Double Fusing	DFK480
PC208-277 – Photocell for 208V, 240V or 277V	122515+	FK347 - Single Fusing	FK347
PC347 – Photocell	159516+	CH2VM FP / CH2HM FT HSS – External House Side Shield	290383BLK++
PC480 – Photocell	1225180+	RPP2 – Round Pole Plate	162914CLR
FK120 - Single Fusing	FK120	BKS-BO-WM-* - CLR Wall Mount Plate	123111CLR
FK277 - Single Fusing	FK277		
DFK208, 240 - Double Fusing	DFK208, 240		

+ Factory installed PCR option required.  
++Black Only

### HOUSE SIDE SHIELD



**FORWARD THROW (FP)**  
(290383BLK)