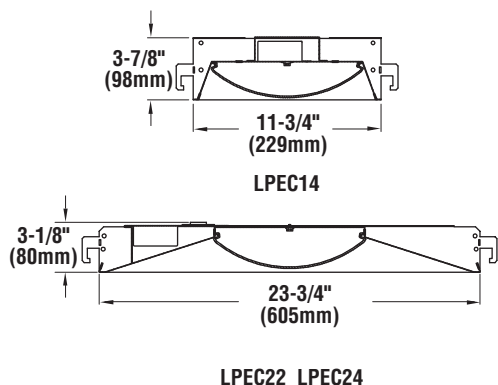


# LED LOW PROFILE RECESSED TROFFER (LPEC)



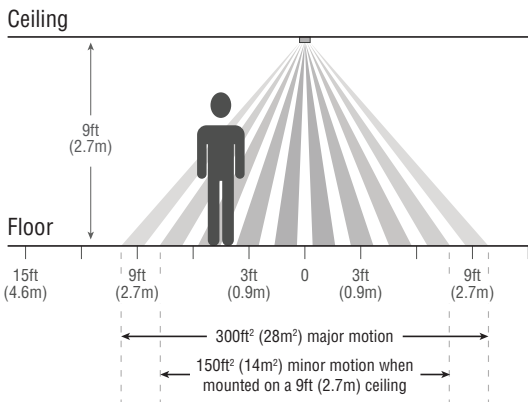
## DIMENSIONS



	SS - Super Saver			HO - High Output			Watts	
	WW	NW	CW	WW	NW	CW	SS	HO
LPEC14 -(1X4)	3050	3200	3650	4305	4520	5125	29	46
LPEC22 -(2X2)	2880	3025	3450	4040	4250	4870	29	46
LPEC24 -(2X4)	3530	3670	4195	4200	4485	5130	36	47
LPEC24 -(2X4)	VHO - Very High Output			Watts				
	WW	NW	CW	VHO				
	5915	6190	7080	60				

LED Chips are frequently updated therefore values may increase.

## AirLink™ ALOS AND ALVS COVERAGE PATTERN



## PRODUCT HIGHLIGHTS

- Long life, high brightness LEDs virtually eliminate maintenance.
- RoHS compliant, recyclable “green” design contains no mercury or other hazardous materials.
- Cooler running electronic components allow for improved lumen performance.
- Direct/Indirect lighting delivers even illumination throughout the space.
- Available with AirLink™ wireless controls for maximum energy savings.

**EXPECTED LIFE** - Projected life of at least 60,000 hours. Contact factory for TM-21 detail.

**LEDs** - Use of closely spaced medium-power, high brightness chips minimizes pixelation and provides uniform luminance. Available in Cool White (5000K), Neutral White (4000K) and Warm White (3500K) color temperatures. CRI  $\geq$  80. LM\_80 reports available.

**HOUSING** - Formed code-gauge steel housing, painted after fabrication. Integral NEC-compliant earthquake clips are standard.

**FINISH** - All metal parts are painted after fabrication following treatment with phosphate rust inhibitor. Finish coating of housing reflecting surfaces is with high-reflectance (minimum 92%) matte white polyester powder.

**LENS** - High transmittance acrylic, full radius lens with minimum diode visibility.

**INSTALLATION** - Unit simply lifts through grid ceiling and rests on T-bars. Wiring access/strain relief plate attaches with one screw, allowing connections to be made from below the ceiling.

**ELECTRICAL** - Universal voltage (120-277 Vac, 50/60 Hz input), Power factor  $>$  0.9, THD  $<$  20%, in-rush current  $<$  15 Amps.

**DRIVER** - High-performance driver features over-voltage, under voltage, short-circuit and over temperature protection. Class A sound rating. 0-10 volt dimming (1% - 100%) standard.

**AirLink™** - LSI AirLink™ controls featuring Lutron Clear Connect makes each luminaire controllable, creating a wireless communication with other AirLink™ control devices such as dimmers, switches, occupancy sensors and photocontrols. The integrated sensor is both a passive infrared motion detector and photocell. The photocell provides a simple out-of-the-box daylight harvesting solution. The motion detector uses exclusive Lutron XCT™ technology which provides fine motion detection and 360° sensor field-of-range.

**OPERATING TEMPERATURE** -  $-40^{\circ}\text{C}$  -  $+40^{\circ}\text{C}$  ( $-40^{\circ}\text{F}$  -  $+104^{\circ}\text{F}$ )

**WARRANTY** - Limited 5-year warranty.

**PHOTOMETRICS** - Please visit our web site at [www.lsi-industries.com](http://www.lsi-industries.com) for detailed photometric data.

**LISTING** - Listed to UL 1598 and UL 8750. Suitable For Damp Locations. IC Rated. For a list of the specific products in this series that are DLC listed, please consult the LED Lighting section of our website or the Design Lights website at [www.designlights.org](http://www.designlights.org).

This product, or selected versions of this product, meet the standards listed below. Please consult factory for your specific requirements.



Project Name \_\_\_\_\_ Fixture Type \_\_\_\_\_  
 Catalog # \_\_\_\_\_

10/04/16  
 © 2016  
 LSI INDUSTRIES INC.

# LED LOW PROFILE RECESSED TROFFER (LPEC)

## LUMINAIRE ORDERING INFORMATION

TYPICAL ORDER EXAMPLE: **LPEC24 LED HO NW UE ALOS EM**

Prefix	Light Source	Drive Current	Color Temperature	Line Voltage	Controls	Options
LPEC14 - (1x4) <sup>1</sup> LPEC22 - (2x2) LPEC24 - (2x4)	LED	SS -Super Saver HO - High Output VHO - Very High Output <sup>2</sup>	CW - Cool White (5000K) NW - Neutral White (4000K) WW - Warm White (3500K)	UE - Universal Voltage (120-277V)  347 - 347V <sup>3</sup>	Blank (none) ALC - AirLink™ Controller ALOS - AirLink™ Controller w/ Occupancy Sensor ALVS - AirLink™ Controller w/ Vacancy Sensor	EM - Emergency Battery FC1 - 6' 3/8" (3) #18 Leads (For Use In Non-Dimming Applications) FC15D - 6' 3/8" (5) #18 Leads (For Use In Dimming Applications) SD50 - Step Dimming to 50% L3D - Lutron Hi-lume 1% LDE1 - Lutron Hi-lume 1% (with Soft-On, Fade-to-Black) LDE5 - Lutron 5-Series

### ACCESSORY ORDERING INFORMATION (Accessories are field installed)

Description	Order Number
Flange Kit - 2x4	FK24
Flange Kit - 2x2	FK22
Flange Kit - 1x4	FK14

### AIRLINK™ CONTROL ACCESSORIES Order as separate catalog number. Visit <http://www.lsi-airlink.com> for complete listing of AirLink™ controls.

Wireless switches	Catalog number	Part Number	Wireless Occupancy Sensors	Part Number
On/Off & Raise Lower	ALWS 3B-(color)-KIT <sup>4</sup>	624103CLR <sup>4</sup>	Wireless 360° 400 ft <sup>2</sup> , Ceiling Mount	624094
			Wireless 180° 3000 ft <sup>2</sup> , Wall Mount	632617
Wireless Photocell controls	Catalog number	Part Number	Wireless 90° 2500 ft <sup>2</sup> , Corner Mount	Part Number
On/Off & Dimming	ALCM-W-PC	624090	Wireless, Hallway 150 ft Length	632620
<b>Commission Laser Kit</b> (See Laser warnings)	AL-CLK	634574		

#### FOOTNOTES:

- 1 - LPEC14 not available with ALOS or ALVS
- 2 - VHO available in 2x4 only.
- 3 - Not available with AirLink
- 4 - Available colors are White, Ivory and Light Almond (WHT, IV, LA)

#### LASER Warnings:

- Warning: Eye injury and/or blindness hazard; avoid direct eye exposure to laser beam.
- Use of laser pointer is NOT recommended for use with AirLink products located near reflective surfaces.
  - Do NOT aim or shine laser pointers at any person, pet, vehicle, or aircraft directly, or through reflection by mirrors or other shiny surfaces.
  - Do NOT view the laser beam through binoculars, magnifying glass, or other optical devices.
  - Do NOT allow children to use laser pointers.
  - Read and follow the laser pointer manufacturer's instructions on safe use. In the event of injury, get medical attention immediately.



Project Name \_\_\_\_\_ Fixture Type \_\_\_\_\_  
Catalog # \_\_\_\_\_

10/04/16  
© 2016  
LSI INDUSTRIES INC.