

# LED AUREUS™ 16" ALUMINUM INTERIOR LOW BAY/HIGH BAY (AUM)



## DOE LIGHTING FACTS

Department of Energy has verified representative product test data and results in accordance with its Lighting Facts Program. Visit [www.lightingfacts.com](http://www.lightingfacts.com) for specific catalog strings.

LIGHT OUTPUT - AUM (16" Aluminum Refractor)					
	Lumens (Nominal)			Watts (Nominal)	LPW (Open)
	Conical Lens	Flat Lens	Open		
5000K	7494	7747	8265	75	111
	13143	13599	14544	107	136
4000K	7713	7973	8506	73.5	116
	12256	12681	13562	106	127
3500K	7003	7239	7723	74	104
	11936	12350	13208	106	125
3000K	7539	7794	8315	74	113
	11857	12268	13121	106	122

LED Chips are frequently updated therefore values may increase.

US patents 8,152,333 and US & Int'l. patents pending

**ENERGY SAVING CONTROL** - DIM 0-10 volt dimming enabled with controls by others. Dimming not compatible with HCP or LCP options.

**EXPECTED LIFE** - Minimum 60,000 to 100,000 hours depending upon the ambient temperature of installation location

**LEDs** - Select high-brightness LEDs in 5000K, 4000K, 3500K, and 3000K color temperatures. CRI  $\geq$  80.

**DISTRIBUTION PATTERN** - Symmetrical distribution provides uniform distribution of light to vertical and horizontal surfaces.

**HOUSING** - Round housing is a combination of extruded aluminum and slotted aluminum panels. Available in Clear Anodized, Gloss White, and Gloss Black Finishes.

**REFRACTOR/LENS** - 16" diameter aluminum reflector is available with a choice of no bottom lens (open), clear acrylic flat lens, or clear conical prismatic acrylic lens. Reflector is secured to housing by self locking clips. Bottom lens is attached with a spring loaded clamp band.

**MOUNTING** - Field selectable mounting options include; direct mounting to a 4" square or octagonal junction box (by others), or 3/4" rigid conduit (by others).

**ELECTRICAL** - Two-stage surge protection (including separate surge protection built into electronic driver) meets Location Category B. Available with universal voltage power supply 120-277VAC (UE - 50/60Hz input) and 347VAC.

**DRIVER** - Components are fully encased in potting material for moistures resistance. Driver complies with FCC 47 CFR part 15 (Class A) RFI/EMI standard. 0-10 volt dimming standard.

**OPERATING TEMPERATURE** - -40°C to +40°C (-40°F to +101°F)

**FINISH** - Clear Anodized Aluminum finish standard. Also available in gloss black or gloss white.

**WARRANTY** - LSI LED fixtures carry a limited 5-year warranty

**PHOTOMETRICS** - Please visit our web site at [www.lsi-industries.com](http://www.lsi-industries.com) for detailed photometric data.

**SHIPPING WEIGHT (IN CARTON)** - 30 LBS. (13.6 kg)

**LISTING** - Listed to UL 1598 and UL 8750. Suitable For Damp Locations.

This product, or selected versions of this product, meet the standards listed below. Please consult factory for your specific requirements.



Project Name \_\_\_\_\_ Fixture Type \_\_\_\_\_  
 Catalog # \_\_\_\_\_

6/29/17  
 © 2017  
 LSI INDUSTRIES INC.

# LED AUREUS™ 16" ALUMINUM INTERIOR LOW BAY/HIGH BAY (AUM)

## PRODUCT ORDERING INFORMATION

TYPICAL ORDER EXAMPLE: **AUM S LED 14L 40 UE AL16CPA GWT**

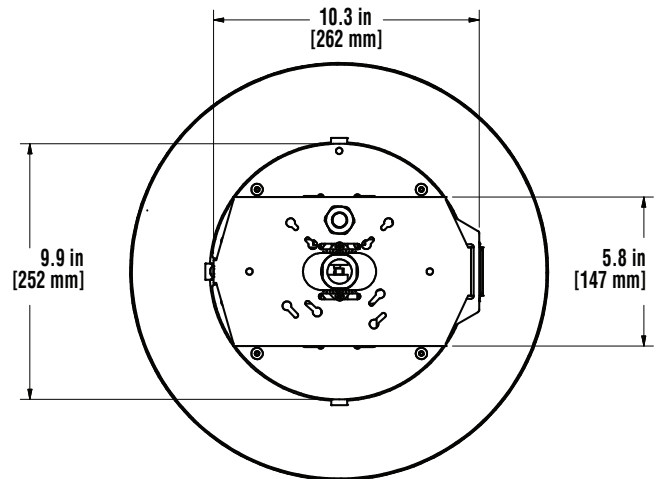
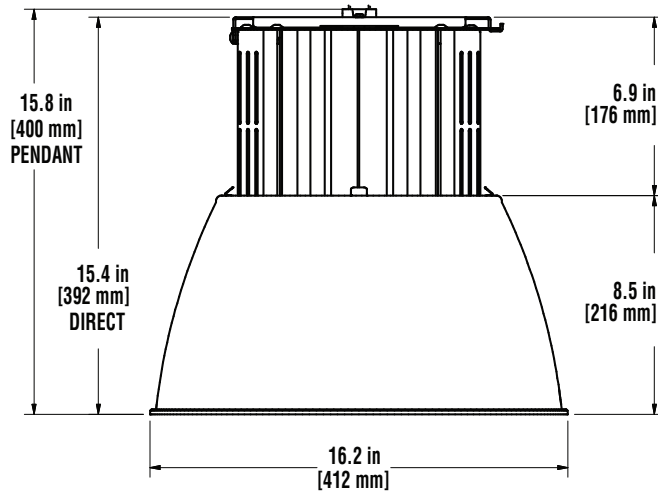
Luminaire Prefix	Distribution	Light Source	Lumens (Nominal)*	Color Temperature	Line Voltage	Reflector	Finish	Options
AUM	S - Symmetric	LED	8L - 8,000 14L - 14,000	50 - 5000K 40 - 4000K 35 - 3500K 30 - 3000K	UE - Universal Voltage (120-277V) 347- 347 Voltage	AL16 - 16" Alumin - Open AL16FA - 16" Aluminum - w/ Clear Acrylic Flat lens AL16CPA - 16" Aluminum - w/ Clear Conical Prismatic Acrylic lens	CAA - Clear Anodized Aluminum GBK - Gloss Black GWT - Gloss White	EM - Emergency Battery DIM1 - 0-10V 1% Dimming (UE Voltage Only) HC - Hook, 6' Cord No Plug HCP120 - Hook, 3' Cord & 120V Twistlock Plug <sup>2</sup> HCP208 - Hook, 3' Cord & 208V Twistlock Plug <sup>2</sup> HCP240 - Hook, 3' Cord & 240V Twistlock Plug <sup>2</sup> HCP277 - Hook, 3' Cord & 277V Twistlock Plug <sup>2</sup> LCP120 - Hook, 3' Cord & 120V Twistlock Plug <sup>2</sup> LCP208 - Hook, 3' Cord & 208V Twistlock Plug <sup>2</sup> LCP240 - Hook, 3' Cord & 240V Twistlock Plug <sup>2</sup> LCP277 - Hook, 3' Cord & 277V Twistlock Plug <sup>2</sup> <b>Accessories</b> *AUMWG - 16" Wire Guard <sup>3</sup> SCK - Safety Chain Kit (101170) TCH10 - 10FT Aircraft Cable Kit

1 - Lumen packages based on 4000K, Open reflector option.

2 - For Cord & Plug configurations requiring dimming and battery backup consult factory

3 - Wire guard not available with lens options.

### DIMENSIONS



Project Name \_\_\_\_\_ Fixture Type \_\_\_\_\_  
Catalog # \_\_\_\_\_

6/29/17  
© 2017  
LSI INDUSTRIES INC.